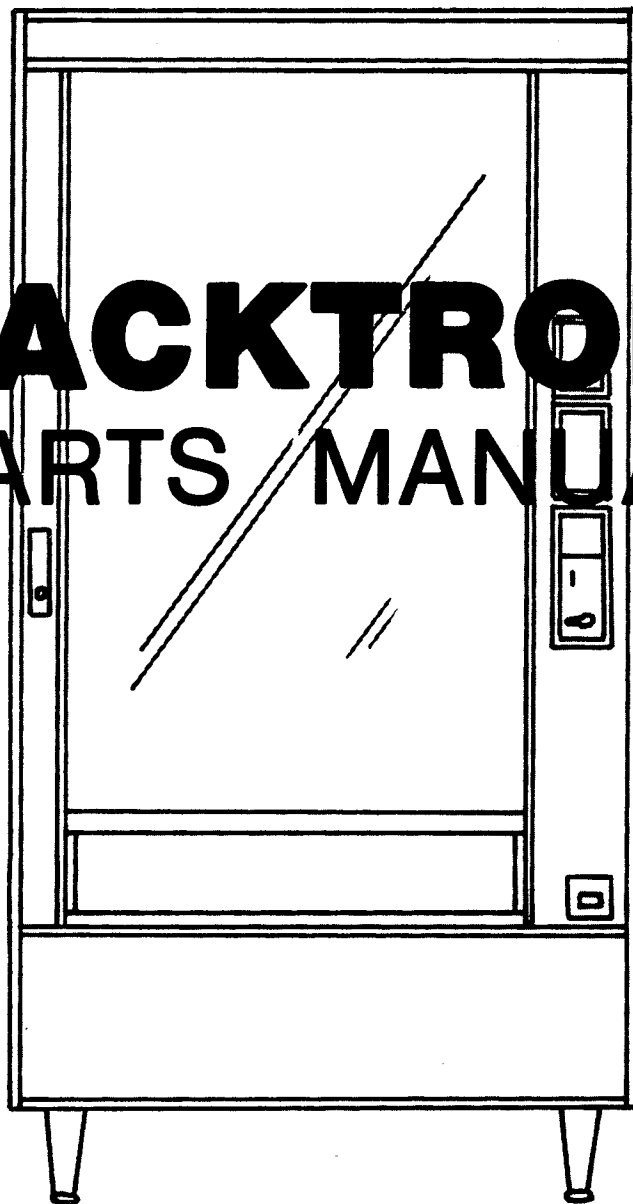


SNACKTRON 1™

PARTS MANUAL



CRANE

NATIONAL VENDORS
5055 NATURAL BRIDGE
ST. LOUIS, MO 63115

WARRANTY

The National Vendors®, Snacktron 1" Merchandiser is warranted for one (1) year against defective parts and workmanship. Any part or parts which are proved to be defective within one (1) year of the date of shipment will be replaced free of charge when the defective part is returned with transportation charges prepaid to the destination designated by the National Vendors' Parts Department.

This Warranty applies only to the original purchaser of the Merchandiser and is null and void if the Merchandiser is sold during the period of warranty.

This warranty is also null and void for all electrical components, wiring, or circuits, and/or for all mechanical parts or assemblies damaged as a result of operating the Merchandiser at other than 110-120 volts, 60 Hertz current.

No warranty is given or implied on incandescent lamps, neon lamps, fluorescent lamps, ballasts, or starters, and other expendable items.

Further, National Vendors is not responsible for any costs of service rendered, or repairs made, at other than National Vendors; or by anyone other than an authorized factory Service Representative of National Vendors; unless authorization to incur such expense has been given in writing by National Vendors prior to incurring such expense.

This Warranty is in lieu of all other warranties expressed or implied, including, without limitation, warranties of Merchantability, and all other obligations or liabilities on National Vendors' part; and National Vendors neither assumes, nor authorizes any person to assume for it, any other obligation or liability in connection with the sale of said Equipment or any part thereof.

NATIONAL VENDORS
A Division of Crane Co.
5055 Natural Bridge
St. Louis, Missouri 63115

This machine has been engineered to our own rigid safety and performance standards. It has earned a "Letter of Compliance" from NAMA indicating that it complies with sanitation and health guidelines recommended by the Automatic Merchandising Health-Industry Council (AMHIC) and it conforms with all other NAMA safety recommendations. In addition, the UL label signifies that its construction and design have been inspected and tested by Underwriter's Laboratories, Inc. and found to comply with their safety standards. UL inspectors also periodically examine production machines at the factory to assure continued compliance. Each electrical part has been separately investigated

by UL and found to be safe as used in this equipment. This machine has also been CSA certified and FCC verified.

To retain the safety and performance built into this machine, it is important that installation and maintenance be conducted so as to not alter the construction, or wiring, and that replacement parts are as specified in the Parts Manual. Your investment in this equipment will be protected by using the Set-Up Instructions and Parts Manual in your operation and maintenance work. By following prescribed procedures, machine performance and safety will be preserved.

Copyright© 3-88 by National Vendors
A Division of Crane Co.

Printed in U.S.A.

TABLE OF CONTENTS

SECTION I.	THEORY OF OPERATION (unavailable at this printing)	
SECTION II.	TROUBLESHOOTING (unavailable at this printing)	
SECTION III.	CIRCUITRY.....	3-1
SECTION IV.	ILLUSTRATED PARTS BREAKDOWN.....	4-1

LIST OF ILLUSTRATIONS

Figure		Page
3-1	Gum and Mint Wiring Diagram.....	3-1
3-2	Merchandiser Wiring Diagram.....	3-2
4-A	Flowchart.....	4-2
4-1	Snacktron 1™ Merchandiser.....	4-3
4-2	Snack Tray Assembly.....	4-5
4-3	Candy Tray Assembly.....	4-7
4-4	Gum and Mint Assembly.....	4-9
4-5	Gum and Mint Motor Assembly.....	4-12
4-6	Cabinet Assembly.....	4-14
4-7	Cabinet Sidewall Assembly.....	4-18
4-8	Electrical Wiring Assembly.....	4-20
4-9	Channel and Receptacle Block Assembly.....	4-22
4-10	Controller PCB and Component Assembly.....	4-24
4-11	Fan Housing Assembly.....	4-27
4-12	Door Assembly (1 of 3).....	4-28
4-12	Door Assembly (2 of 3).....	4-29
4-12	Door Assembly (3 of 3).....	4-30
4-13	Push Button Grid Assembly.....	4-37
4-14	Coin Receptacle Assembly.....	4-38
4-15	Delivery Pan Assembly.....	4-39
4-16	Upper Door Light Assembly.....	4-42
4-17	Base Plate Assembly.....	4-43

SNACKTRON 1

SPECIFICATIONS

SIZE: 72" (182.9 cm) high
38" (96.5 cm) wide
35-1/2" (90.2 cm) deep

WEIGHT: 640 lbs. (288 kg)

POWER REQUIREMENTS: 115 Volts 60 Hertz 3 Amps

SELECTIONS - CAPACITIES: 5 Selection Snack Tray - 67 items
10 Selection Candy Tray - 220 items

The number of items is based on the suggested arrangement of the Snack and Candy spirals.

OPTIONAL EQUIPMENT: 5 Selection Vertical Gum and Mint

Base Plate Assembly - NU-GRAY; AWARD
Data Retrieval
Keylock Switch Assembly
Van Lock
Flex Ace Lock
Exhaust Fan

OPTIONAL COIN UNITS: MARS ELECTRONIC™ Model MC5000 drop shipped
COIN ACCEPTORS Model C300-9404-977 drop shipped

SECTION IV

ILLUSTRATED PARTS BREAKDOWN

This section contains the Parts Breakdown for each assembly of the Snacktron 1™ Merchandiser.

Each Illustration shows an exploded view with index numbers. These numbers correspond with the numbers in the parts list column headed INDEX NO. The DESCRIPTION column lists the identifying name of each part or assembly. The PART NUMBER column lists the part number of each part or assembly. The NO. REQ. column lists the number required for each part or assembly.

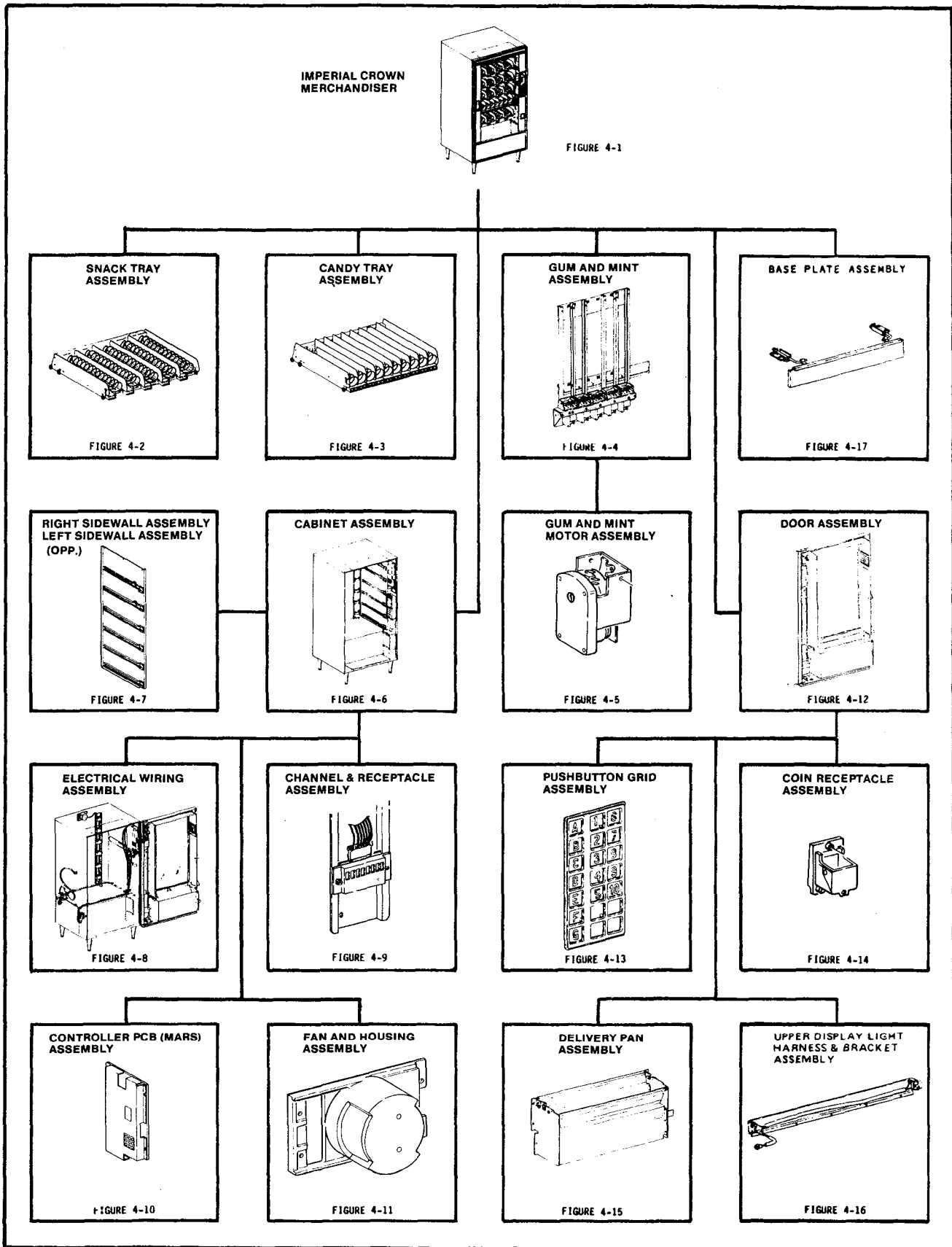
HOW TO USE THE PARTS LIST

To find the part number of a part or assembly, turn to the Flowchart and pick out the figure that uses the part or assembly desired. Turn to that figure and locate the part and its index number. Find the index number in the parts list and read across for a complete description.

HOW TO ORDER PARTS OR ASSEMBLIES

To avoid delays and errors in shipping, give the part number, complete description, and quantity required. Also, include the Model name and Serial No.

SNACKTRON 1



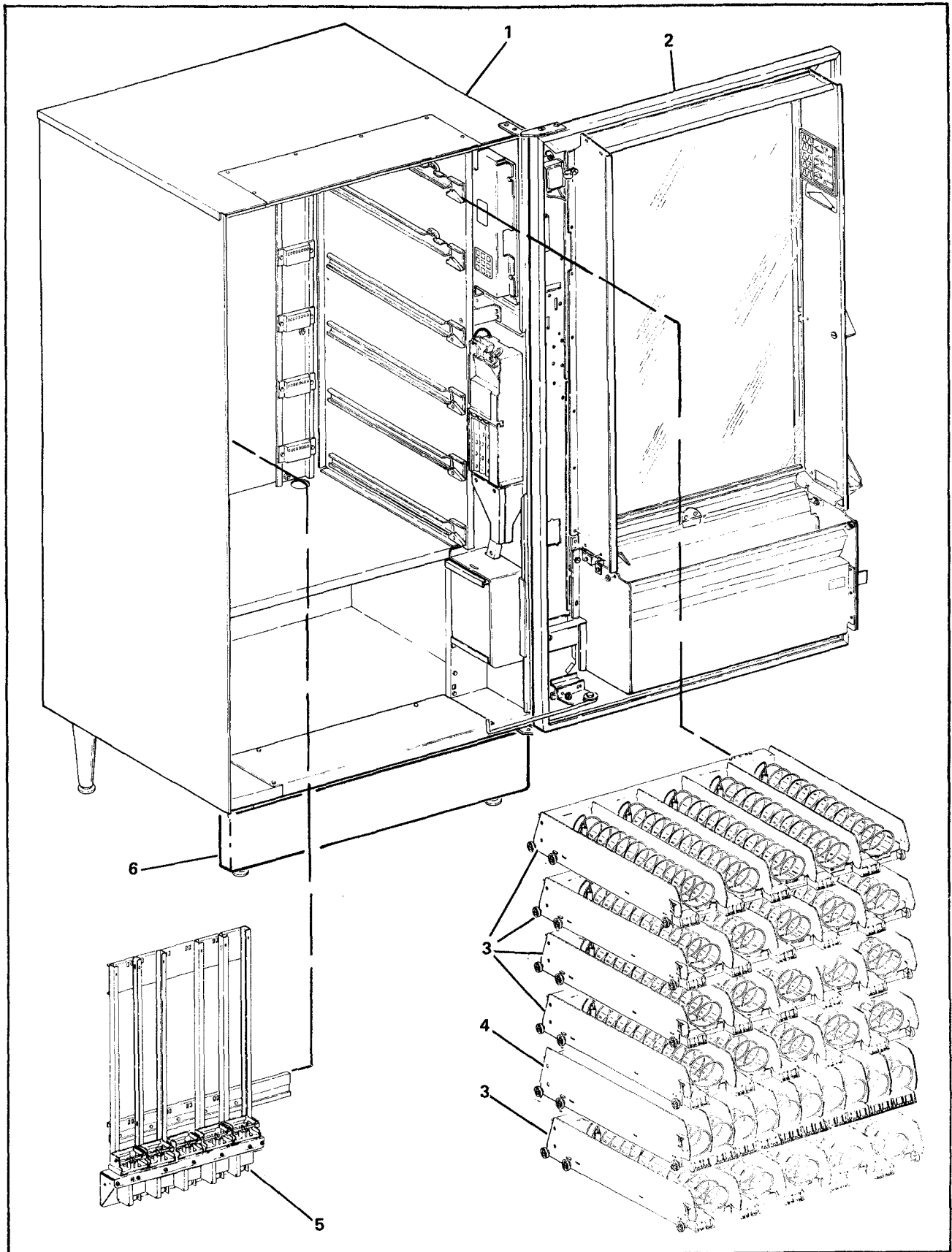


Figure 4-1. Snacktron 1™ Merchandiser

SNACKTRON 1

Index No.	Description	Part Number	No. Req.
1	Snacktron 1™ Merchandiser Cabinet Assembly Final Imperial Crown See Figure 4-6	1451077	1
2	Door Assembly - Final Imperial Crown See Figure 4-12	1452021	1
3	Snack Tray Assembly - Final See Figure 4-2	1457000	5
4	Candy Tray Assembly - Final See Figure 4-3	1457100	1
5	Gum & Mint Assembly See Figure 4-4	1459000	1
6	Base Plate Assembly - "NU GRAY" "AWARD" See Figure 4-17	2271050 2271051	1 1

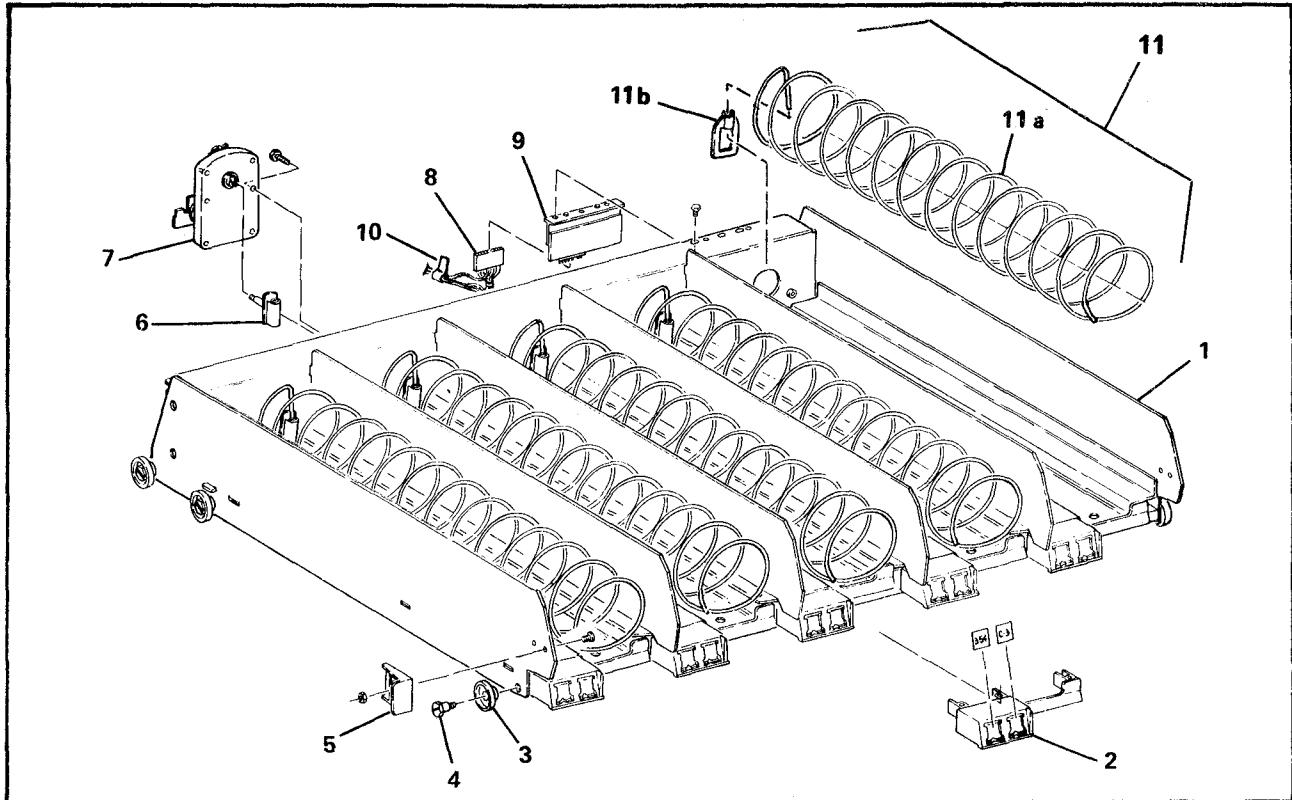


Figure 4-2. Snack Tray Assembly

Index No.	Description	Part Number	No. Req.
	Snack Tray Final Assembly See Figure/Index 4-1/3 next higher assembly	1457000	1
1	Snack Tray Assembly	1457002	1
2	Snack Tray Label Holder attaching parts No.8-10 x .38 Hex Hd. T/F Screw	1417001 1437204	5 15
3	Tray Roller	1407018	6
4	Tray Roller Stud	1457001	6
5	Tray Retainer attaching parts No.8-32 x 3/8 THS - Black Screw	1457078 1170206	1 1
6	Spiral Coupling	1457092	5

SNACKTRON 1

Index No.	Description	Part No.	No. Req.
7	PBC and Motor Assembly See Figure attaching parts No.8-32 x .81 Hex Hd. T/F Screw	1457093	5
		1457027	10
8	5 Selection Tray Harness	1457017	1
9	5 Selection Tray PCB and Terminal Block Assembly attaching parts No.8-32 x .38 Hex Hd. T/F Screw	1457013	
		1437204	3
10	Observe Polarity Label (Locate 5 places on Tray Harness)	1457047	5
11	Spiral & Sleeve Assembly - Blue (Options Not Shown)	1457029	6
	Spiral & Sleeve Assembly - Yellow	1457032	12
	Spiral & Sleeve Assembly - Red	1457034	12
	Spiral & Sleeve Assembly - White	1457038	1
	Spiral & Sleeve Assembly - Green	1457041	1
11a	Spiral - 3.25 Dia. - 11 Count	1457030	1(6)
	Spiral - 3.25 Dia. - 13 Count	1457033	1(12)
	Spiral - 3.25 Dia. - 15 Count	1457036	1(12)
	Spiral - 3.25 Dia. - 20 Count	1457039	1(5)
	Spiral - 3.25 Dia. - 25 Count	1457042	1(5)
11b	Sleeve - Color Ident - Blue (Options Not Shown)	1457031	1(6)
	Sleeve - Color Ident - Yellow	1457034	1(12)
	Sleeve - Color Ident - Red	1457037	1(12)
	Sleeve - Color Ident - White	1457040	1(5)
	Sleeve - Color Ident - Green	1457043	1

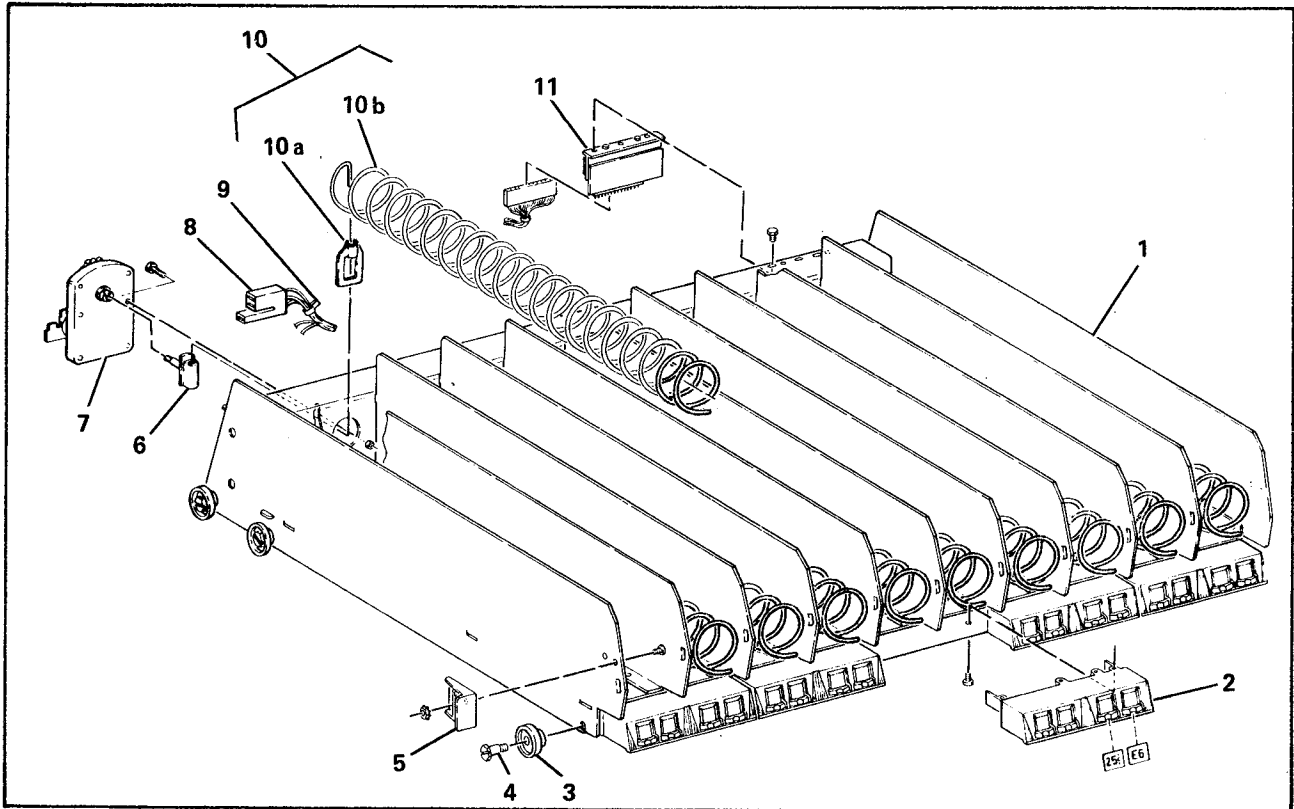


Figure 4-3. Candy Tray Assembly

Index No.	Description	Part Number	No. Req.
	Candy Tray Final Assembly See Figure/Index 4-1/4 for next higher assembly	1457100	1
1	Candy Tray Assembly	1457102	1
2	Candy Tray Label Holder attaching parts No.8-32 x .38 Hex Hd. T/F Screw	1457150 1437204	5 15
3	Tray Roller		
4	Tray Roller Stud	1457001	6
5	Tray Retainer attaching parts No.8-32 x 3/8 THS Black Screw No.8-32 Nut W/LW	1457028 1170206 9900081	1 1 1
6	Spiral Coupling	1457092	10

SNACKTRON 1

Index No.	Description	Part No.	No. Req.
7	PCB and Motor Assembly See Figure attaching parts No.8-32 x .81 Hex Hd. T/F Screw	1457093	1(10)
		1457027	20
8	10 Selection Tray Harness	1457120	1
9	Observe Polarity Label (Located 10 places on Tray Harness)	1457047	10
10	Blue Spiral and Sleeve Assembly	1457110	Opt.
	Yellow Spiral and Sleeve Assembly	1457112	Opt.
	Red Spiral and Sleeve Assembly	1457114	Opt.
	White Spiral and Sleeve Assembly	1457116	Opt.
	Green Spiral and Sleeve Assembly	1457124	Opt.
10a	Blue Color Ident. Sleeve	1457031	Opt.
	Yellow Color Ident. Sleeve	1457034	Opt.
	Red Color Ident. Sleeve	1457037	Opt.
	White Color Ident. Sleeve	1457040	Opt.
	Green Color Ident. Sleeve	1457043	Opt.
10b	15 Count 2.69 Dia. Spiral	1457111	Opt.
	20 Count 2.69 Dia. Spiral	1457113	Opt.
	30 Count 2.69 Dia. Spiral	1457115	Opt.
	38 Count 2.69 Dia. Spiral	1457117	Opt.
	13 Count 2.69 Dia. Spiral	1457125	Opt.
11	10 Selection Tray PCB and Terminal Block Assembly	1457118	1

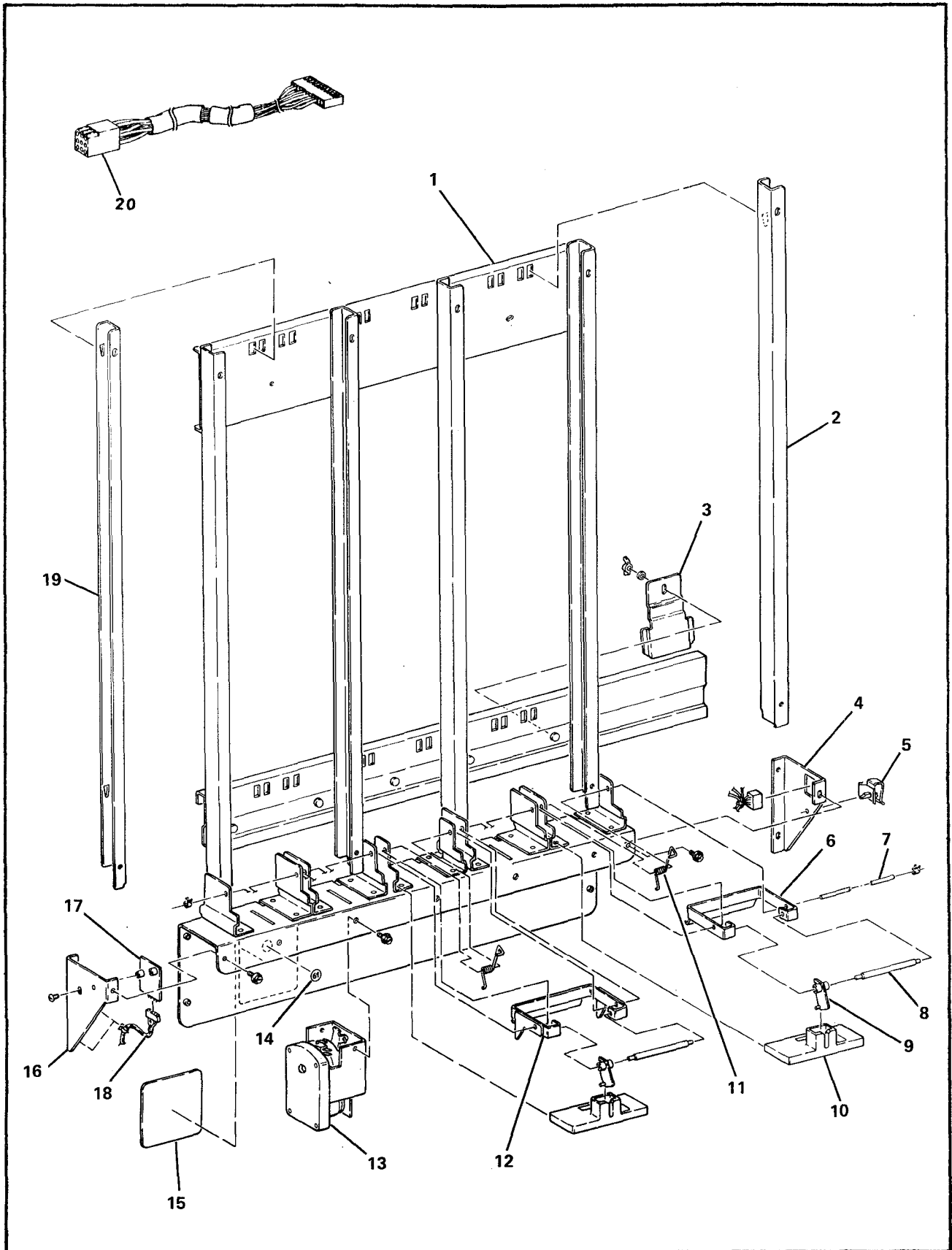


Figure 4-4. Gum and Mint Assembly

SNACKTRON 1

Index No.	Description	Part Number	No. Req.
	Gum & Mint Assembly See Figure/Index 4-1/5 for next higher assembly	1459000	Ref.
1	Magazine Assembly - Gum & Mint	1459006	1
2	Channel, Column - Adjustable - R.H.	1459002	1
3	Retainer - Small - G & M attaching parts	1419018	5
	Steel Washer	9900034	5
	Wing Nut	9900031	5
4	End Plate - Motor Housing - R.H. attaching parts	1459004	1
	No.8-32 x .31 Hex Hd. T/F Black Screw	1451097	3
5	Routing Clip - Snap In	9989324	1
6	Vend Bar Assembly	1419015	4
7	Rod - Pivot - Vend Bar attaching part	1459001	1
	Speed Clip - Compressor	2366055	2
8	Pin - Pivot - Vend Bar Link	1419022	5
9	Link - Vend Flap	1419020	5
10	Ejector - G & M	1419021	5
11	Spring - Torsion - G & M	1459018	5
12	Center Vend Bar Assembly	1459014	1
13	Motor Assembly - Gum & Mint See Figure 4-5 attaching part part	1459042	5
	No.8-32 x .31 Hex Hd. T/F Black Screw	1451097	15
14	Label - Gum & Mint Column I.D.	1459022	1
15	Label - G & M Retainer Adjustment	1419059	1
16	End Plate - Motor Housing attaching part	1459005	1
	No.8-32 x .31 Hex Hd. T/F Black Screw	1451097	3
17	PCB Assembly - Gum & Mint attaching part	1459028	1
	No.6-32 x 1/4 RHS Screw	9900003	2

SNACKTRON 1

Index No.	Description	Part No.	No. Req.
18	Harness - Gum & Mint attaching part Retaining Clip - Grommet	1459029	1
		4041088	6
19	Channel - Column - Adjustable L.H.	1459003	1
20	Jumper - Gum & Mint	1459030	1

SNACKTRON 1

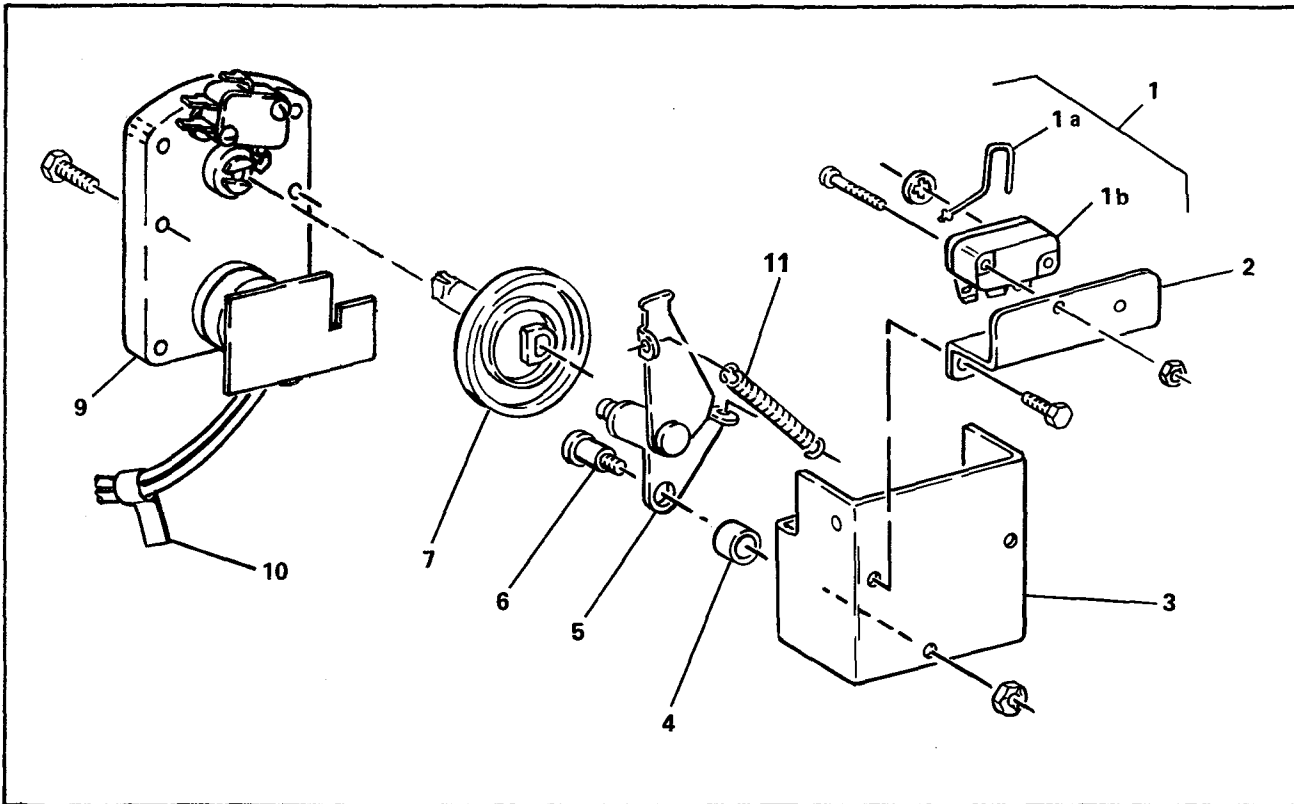


Figure 4-5. Gum and Mint Motor Assembly

Index No.	Description	Part Number	No. Req.
	Gum & Mint Motor Assembly (See Figure/Index 4-4/13 for next higher Assembly)	1459042	Ref.
1	Switch & Lever Assembly attaching parts No.4-40 x 3/4 RHS Screw No.4-40 W/LW Nut	1419035 1217216 1217159	1 2 2
1a	Lever - Switch, Sold Out attaching part Retainer, Push On	1419037 1217162	1 1
1b	Switch	5220431	1
2	Bracket - Sold Out Switch attaching part No.8-32 x .31 Hex Hd. T/F Black Screw	1419031 1451097	1 2
3	Motor Bracket attaching parts No.8-32 x .81 Hex Hd. T/F Screw	1459020 1457027	1 2
4	Follower Plate Spacer	1419028	1

SNACKTRON 1

Index No.	Description	Part No.	No. Req.
5	Actuator Arm Assembly attaching part No.8-32 Self Locking Nut	1419038 9900072	1 1
6	Stud -Pivot - Follower Plate	1419029	1
7	Ejector - Gum & Mint Cam	1459043	1
9	PCB & Motor Assembly - Tray	1457093	
10	Label - Observe Polarity	1457047	1
11	Spring - Ejector - Gum & Mint	1419030	1

SNACKTRON 1

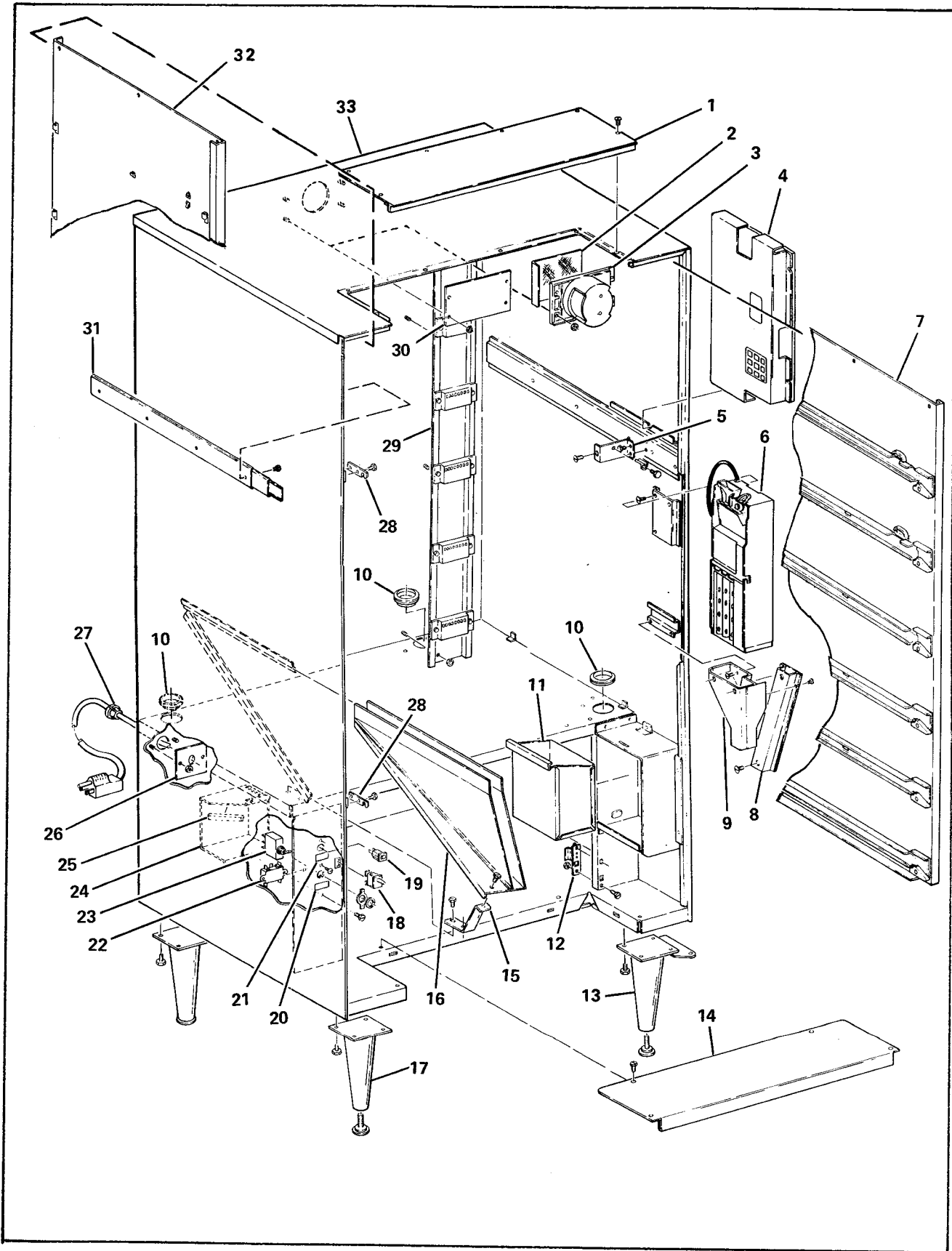


Figure 4-6. Cabinet Assembly

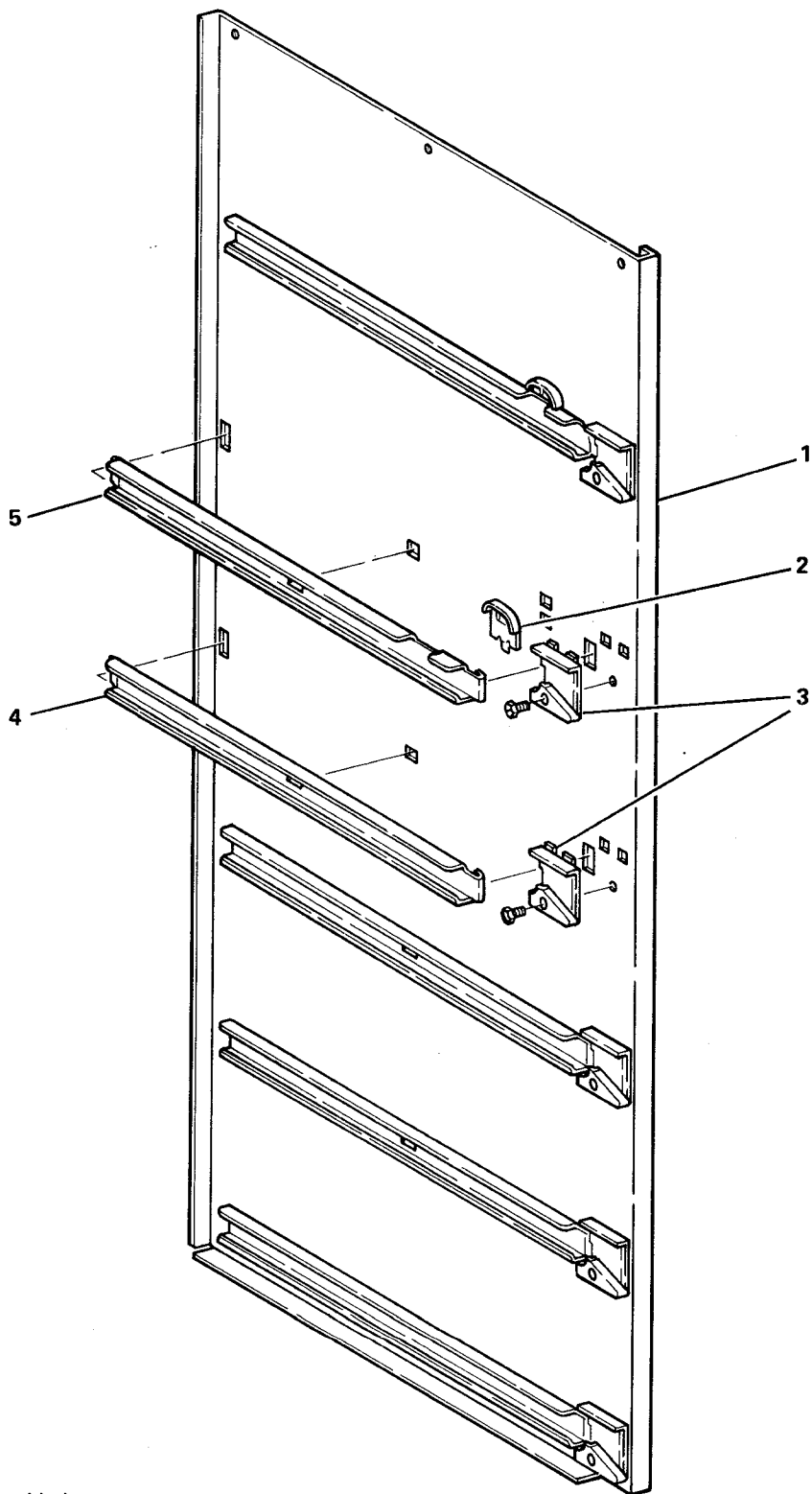
Index No.	Description	Part Number	No. Req.
	Cabinet Assembly (See Figure/Index 4-1/1 for next higher assembly)	-	Ref.
1	Filler Assembly - Cabinet Top attaching parts Nut No.8-32 W/LW	1411032 9900081	1 6
2	Screen Cabinet Back	1451087	1
3	Fan & Housing Assembly (Opt) See Figure 4-11 attaching parts Nut No.10-32 W/LW	1451088 9900164	1 4
4	Controller PCB & Component Assembly Mars See Figure 4-10	1451045	1
5	Bracket-Support-Liner Sidewall attaching parts Screw No.8-32 x .31 Hex Hd T/F Black Screw No.8-32 x 3/8 THS Black (attaches Bracket to R.H. Liner Sidewall)	1451094 1451097 1170206	1 2 1
6	Coin Unit - Mars Changer MC5000 Mounting Hardware Screw No.8-32 x 3/8 RHS	5900112 9900019	1 3
7	Right Sidewall Assembly See Figure 4-7 attaching parts Screw No.8-32 x .32 Hex Hd. T/F Black Nut No.10-32 W/LW	1451057 1451077 9900164	1 6 5
8	Chute Assembly - Coin Return attaching parts Screw No.6-20 x 3/8 PHS T/C	1451072 9900203	1 2
9	Coin Chute Assembly attaching parts Screw No.6-32 x 5/16 THS S/T	1451068 9900166	1 3
10	Snap Bushing	2301017	3
11	Money Box Assembly	1451029	1
12	Plate & Spring Assembly - Door Check attaching parts Screw No.8-32 x .31 Hex Hd. T/F Black	1451039 1451097	1 2
13	Leg, Hinge & Leveler Assembly - Cabinet attaching parts Screw .31-18 x 1.00 Hex Hd. T/F	3121148 1451093	1 4

SNACKTRON 1

Index No.	Description	Part No.	No. Req.
14	Filler Assembly - Base attaching parts Screw No.8-32 x 31 Hex Hd T/F Black	1411034 1451097	1 4
15	Bracket Mounting - G & M Chute attaching parts Screw No.8-32 x .31 Hex Hd. T/F Black	1451095 1451097	1 2
16	Chute Assembly - G & M attaching parts Screw No.8-32 x .31 Hex Hd. T/F Black	1451034 1451097	1
17	Leg & Leveler Assembly - Cabinet attaching parts Screw .31-18 x 1.00 Hex Hd. T/F	1171098 1451093	3 12
18	Switch - Interlock	1401110	1
19	Circuit Breaker - 3 Amp	9989336	1
20	Label - Main Power	1451138	
21	Label - Circuit Breaker	1451137	1
22	Interference - Filter attaching parts Nut No.8-32 W/LW Screw No.8-32 x 3/8 PHS W/LW	9989100 9900081 9900023	1 2 2
23	Switch - DPST	4041150	1
24	Cover - Interlock Switch attaching parts Screw No.8-32 x 3/8 PHS W/LW Nut No.8-32 W/LW	1451081 9900023 9900081	1 2 2
25	Grommet - Strip	1451044	1
26	Plate & Power Cord Assembly attaching parts Nut No.10-32 W/LW	1451047 9900164	1 2
27	Straight Thru Heyco	2221041	1
28	Lock Arm - Cabinet - Left attaching parts Screw No.10-32 x 3/8 PHS T/C W/LW	4241182 4041053	2 4
29	Channel & Receptacle Block Assembly See Figure 4-9 attaching parts Nut No.10-32 W/LW	1451062 9900164	1 4

SNACKTRON 1

Index No.	Description	Part No.	No. Req.
30	Cover - Fan attaching parts Nut No.10-32 W/LW	1451078	1
		9900164	4
31	Mount Slide - G & M attaching parts Screw - No.8-32 x .31 Hex Hd. T/F-Black	1451080	1
32	Left Sidewall Assembly See Figure 4-7 attaching parts Screw No.8-32 x .31 Hex Hd. T/F Black Nut No.8-32 W/LW	1451097	4
		1451050	1
33	Cabinet Assembly Not Shown Label - Tray Removal Label - Candy Loading Union Label Patent Label Label - N.V. Logo Tag - Electrical Rating	1451097	6
		9900164	6
		1451000	1
		1451098	1
		1451129	1
		2221039	1
		2221045	1
		2221580	1
		1451082	1



NOTE:
Right Sidewall Assembly Shown -
Left Sidewall Opposite

Figure 4-7. Cabinet Sidewall Assembly

SNACKTRON 1

Index No.	Description	Part Number	No. Req.
	Left Sidewall Assembly Right Sidewall Assembly (See Figure/Index 4-2/7 & 4-2/29 for next higher assembly)	1451050 1451057	Ref. Ref.
1	Sidewall Liner R.H. Sidewall Liner L.H.	1451058 1451051	1 1
2	Extension - Guide Rail Upper R.H. Extension - Guide Rail Upper L.H.	1451054 1451054	2
3	Ramp - Tray - R.H. Ramp - Tray - L.H. attaching parts Screw No.8-32 x .31 Hex Hd. T/C	1451061 1451055 1451056	6 6 12
4	Guide Rail - Lower R.H. Guide Rail - Lower L.H.	1451059 1451052	4 4
5	Guide Rail - Upper R.H. Guide Rail - Upper L.H.	1451060 1451053	2 2

SNACKTRON 1

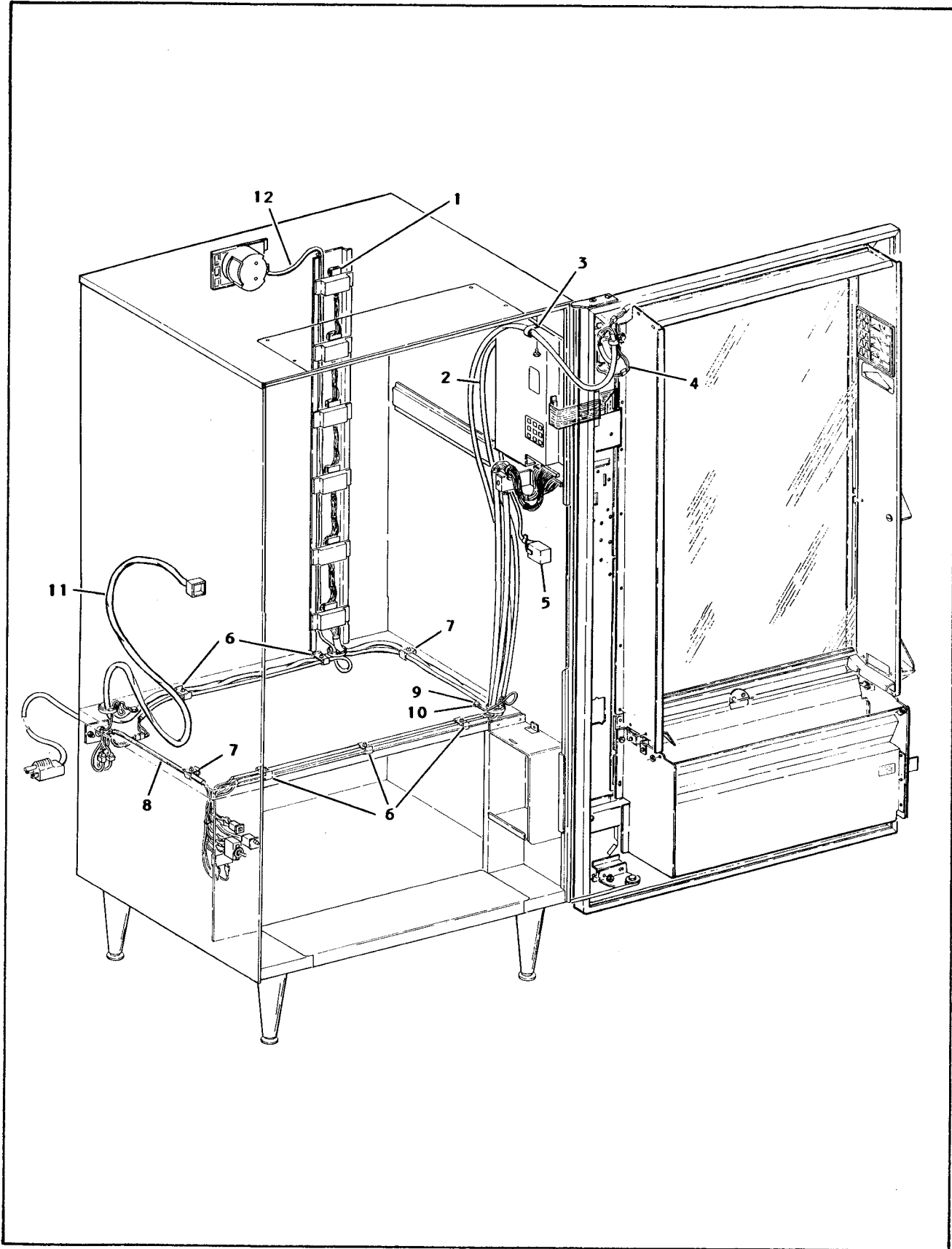


Figure 4-8. Electrical Wiring Assembly

SNACKTRON 1

Index No.	Description	Part Number	No. Req.
	Electric Wiring Assembly	-	
1	Cabinet Harness	1451075	1
2	Harness - Power to Controller	1451130	1
3	Wire Clamp attaching part	2302227	1
	No.6-32 x .25 RHS T/C Screw	9900104	1
4	Harness - Power to Transformer	1451125	1
5	Harness - Coin Mech. - Mars Interface	1451120	1
6	Grommet Routing Clip	9989323	5
7	Grommet Routing Clip	9989324	2
8	Harness - Power Control	1451123	1
9	No.8-32 x .31 Hex Hd. T/F Screw (Black)	1451097	2
10	No.8 External Tooth Lockwasher	6131148	2
11	Harness - Gum and Mint	1459029	1
12	Harness - Fan	1451122	1

SNACKTRON 1

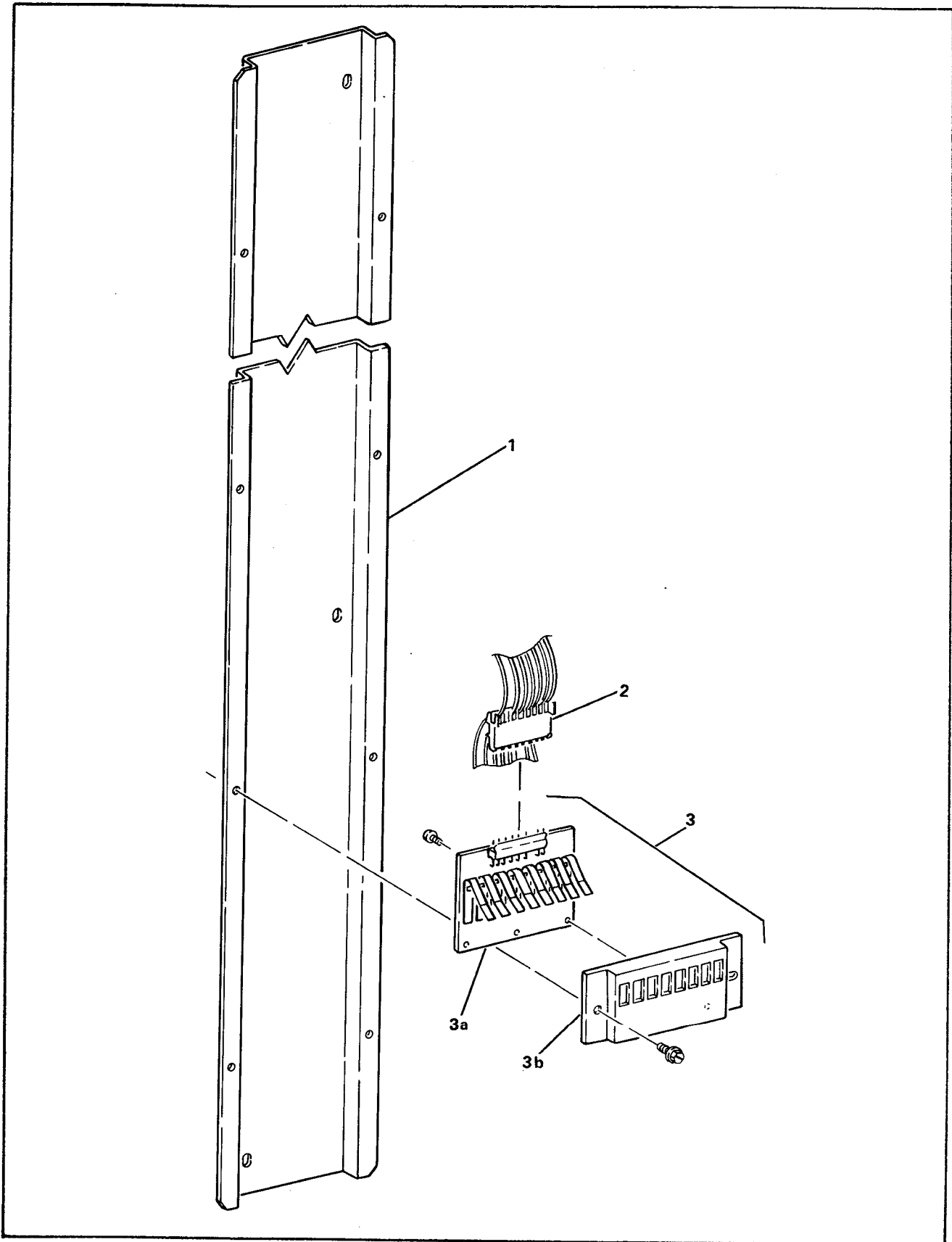


Figure 4-9. Channel and Receptacle Block Assembly

SNACKTRON 1

Index No.	Description	Part Number	No. Req.
	Channel and Receptacle Block Assembly See Figure/Index 4-2/30 next higher assembly	1451062	Ref
1	Mounting Receptacle Channel	1451063	1
2	Cabinet Harness	1451075	1
3	Receptacle Block and P/C Board Assembly attaching parts	1451064	6
	No.8-32 x .31 Hex Hd. T/F Black Screw	1451097	12
3a	PCB and Contact Spring Assembly attaching parts	1451049	6
	No.6-20 x 3/8 PHS T/C Screw	9900203	30
3b	Receptacle Block	1451065	6

SNACKTRON 1

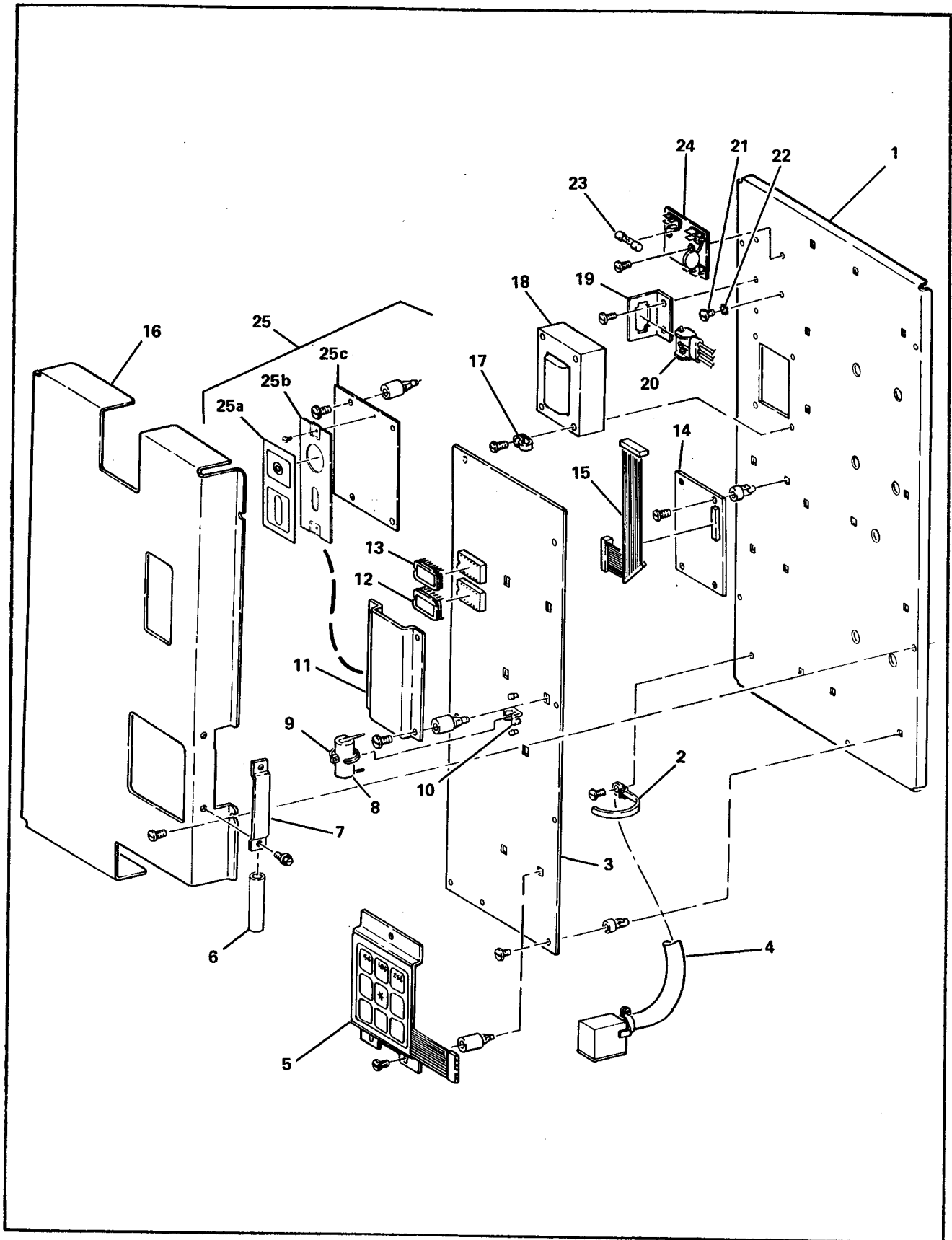


Figure 4-10. Controller PCB and Component Assembly

SNACKTRON 1

Index No.	Description	Part Number	No. Req.
	Controller PCB & Component Assembly - Mars (See Figure/Index 4-2/10 next higher assembly)	1451045	Ref.
1	P/C Board Chassis	1451107	1
2	Wire Tie attaching part Screw No.8-32 x .31 Hex Hd. T/F Black	5230618 1451097	1 1
3	Controller PCB Assembly attaching part Screw No.8-18 x .500 PHS Plastic Expansion - Nut - .250 Spacer	1451085 1451112 9989329	1 8 12
4	Harness - Coin Mechanism - Interface - Mars	1451120	1
5	Membrane and Plate Assembly attaching parts Screw No.8-18 x 1.250 PHS Plastic Fastener - .687 Spacer	1451100 1451113 9989330	1 3 3
6	Cover Clamp	1451043	1
7	Clamp - Wire attaching part Screw No.8-32 x .31 Hex Hd. T/F Black	1451042 1451097	1 2
8	Battery - Lithium - 3v - Size 2/3A	9989317	1
9	Wire Tie - Self Clinching - Medium	2204513	1
10	Tie Mount - Cable attaching parts Screw No.6-32 x 1/4 RHS Nut	9989327 9900003 9900114	1 1 1
11	Channel - Backup - Cover (on 1451035) attaching parts Screw No.8-18 x 1.250 PHS Plastic Fastener - .687 Spacer	1451109 1451113 9989330	1 4 4
12	IC - MOS - EPROM - PROGRAMMED (U3)	1451132	1
13	IC MOS EPROM - PROGRAMMED (V2)	1451131	1
14	PCB Assembly - Coin Mech. INTERFACE - MARS attaching parts Screw No.8-18 x .500 PHS Plastic Expansion Nut - 250 Spacer	1451105 1451112 9989329	1 4 4
15	Cable Assembly - 12 Pos. Ribbon Wire	1451117	1

SNACKTRON 1

Index No.	Description	Part No.	No. Req.
16	Cover - Control Panel	1451084	1
	attaching part Screw No.8-32 x .31 Hex Hd. T/F Black	1451097	4
17	Wire Clamp - .302 Dia. (on 1451034 & 1045)	2221049	1
18	Transformer Assembly	1451076	1
	attaching part Screw No.8-32 x 1.25 Hex Hd. T/F	1451133	4
19	Bracket - Chassis	1451110	1
	attaching part Screw No.8-32 x .31 Hex Hd. T/F Black	1451097	2
20	Jumper - Power to Transformer	1451125	1
21	Screw (For Ground)	9900173	1
22	Washer (Next to Chassis)	6131148	1
23	Fuse 3/4 Amp	1451141	1
24	Terminal Board Assembly	1451127	1
	attaching part Screw No.8-32 x .31 Hex Hd. T/F Black	1451097	2
	Controller PCB & Component Assembly - Mars (Data, Retrieval)	1451034	Ref
	Controller PCB & Component Assembly - CA	1451035	Ref
	Controller PCB & Component Assembly - CA (Data Retrieval)	1451036	Ref
25	PCB & Panel Assembly - Data Retrieval	1451126	1
25a	Label - Data Retrieval	1451119	1
25b	Panel - PCB - Data Retrieval	1451111	1
	attaching part Screw No.6-32 x 1/4 RHS	9900003	2
25c	PCB Assembly - Data Retrieval	1451103	1

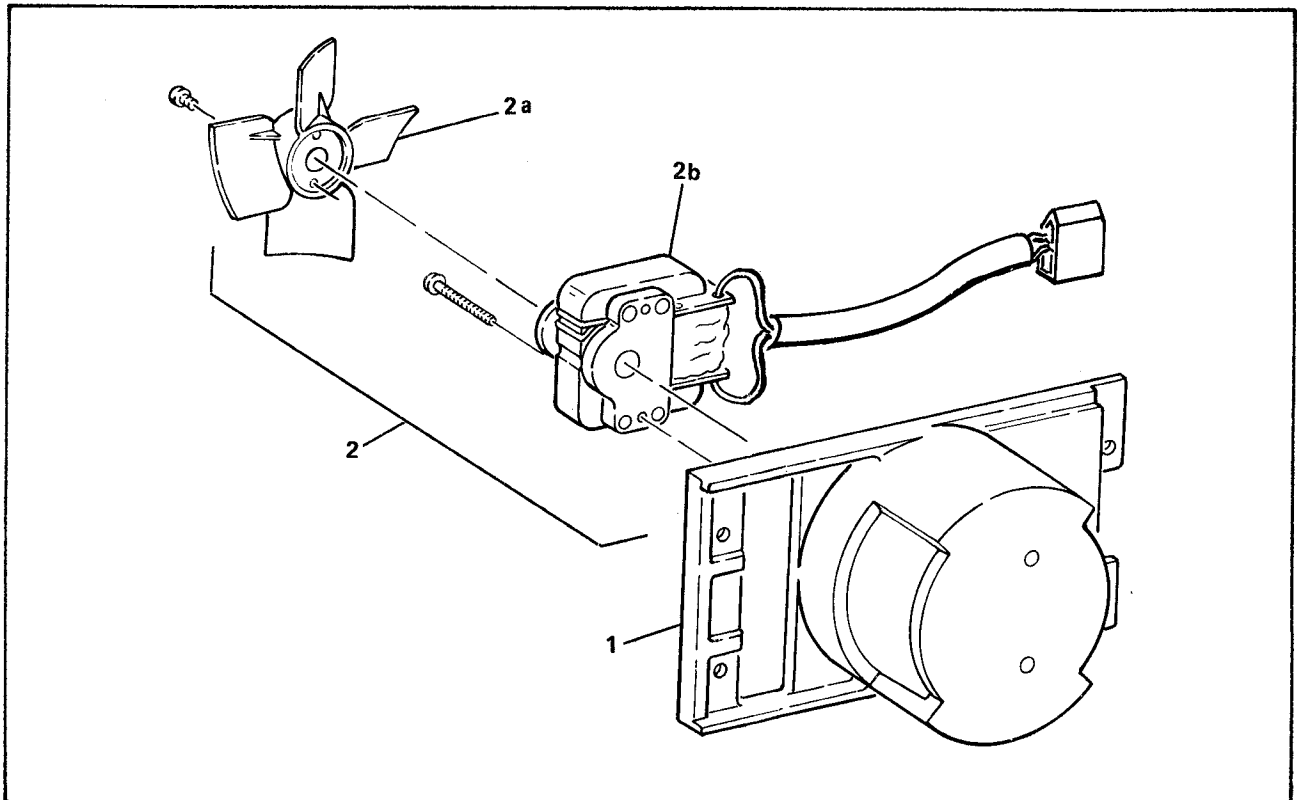


Figure 4-11. Fan and Housing Assembly

Index No.	Description	Part Number	No. Req.
	Fan and Housing Assembly (See Figure/Index 4-2/3 next higher assembly)	1451088	Ref
1	Fan Housing	1450189	1
2	Exhaust Fan Motor and Blade Assembly	1451090	1
2a	Exhaust Fan Blade attaching parts No.3-48 x .25 BHS Screw	1451092 1411192	1 2
2b	Exhaust Fan Motor attaching parts No.10-32 x 5/8 RHS W/L.W. Screw	1451091 1277102	1 2

SNACKTRON 1

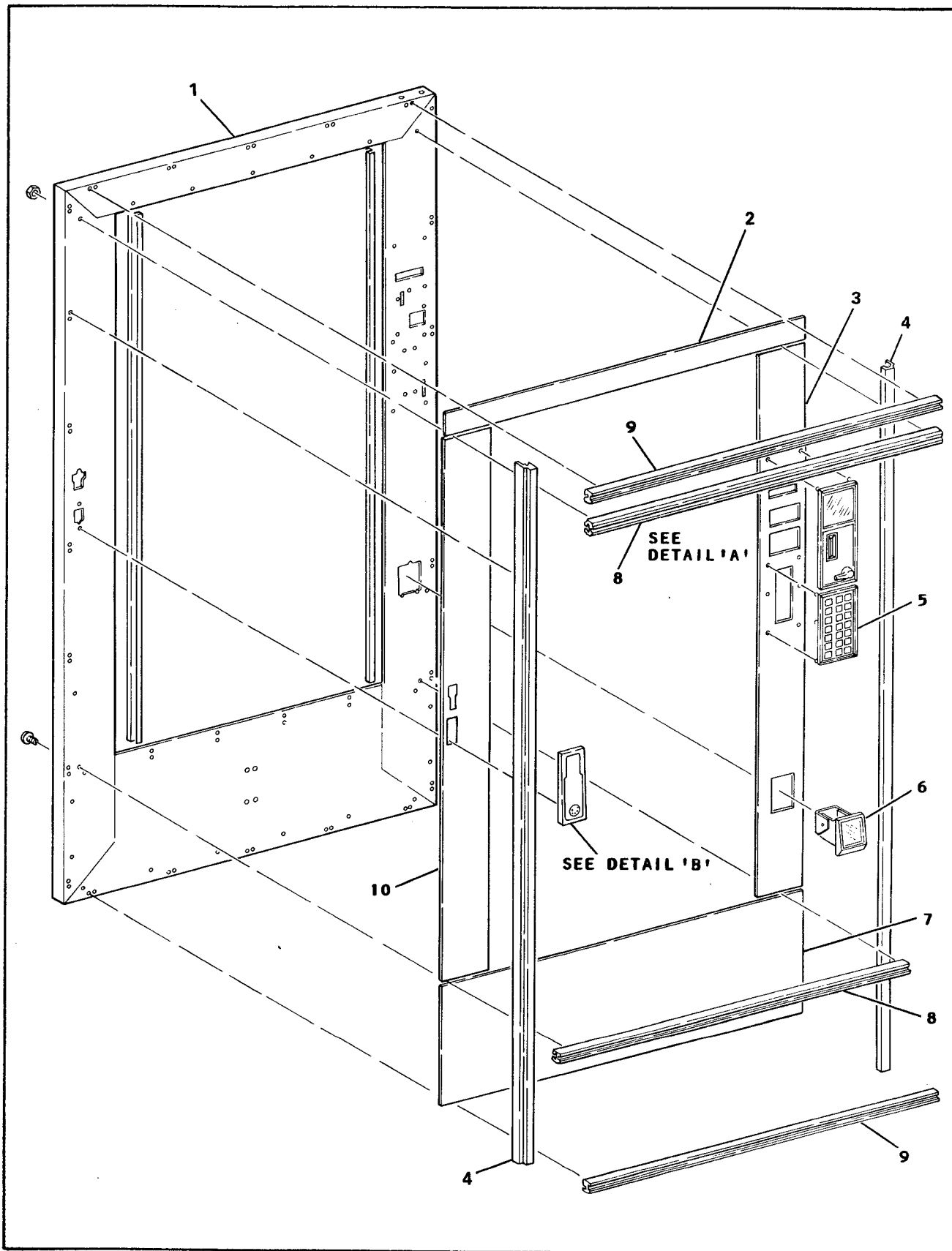


Figure 4-12. Door Assembly (1 of 3)

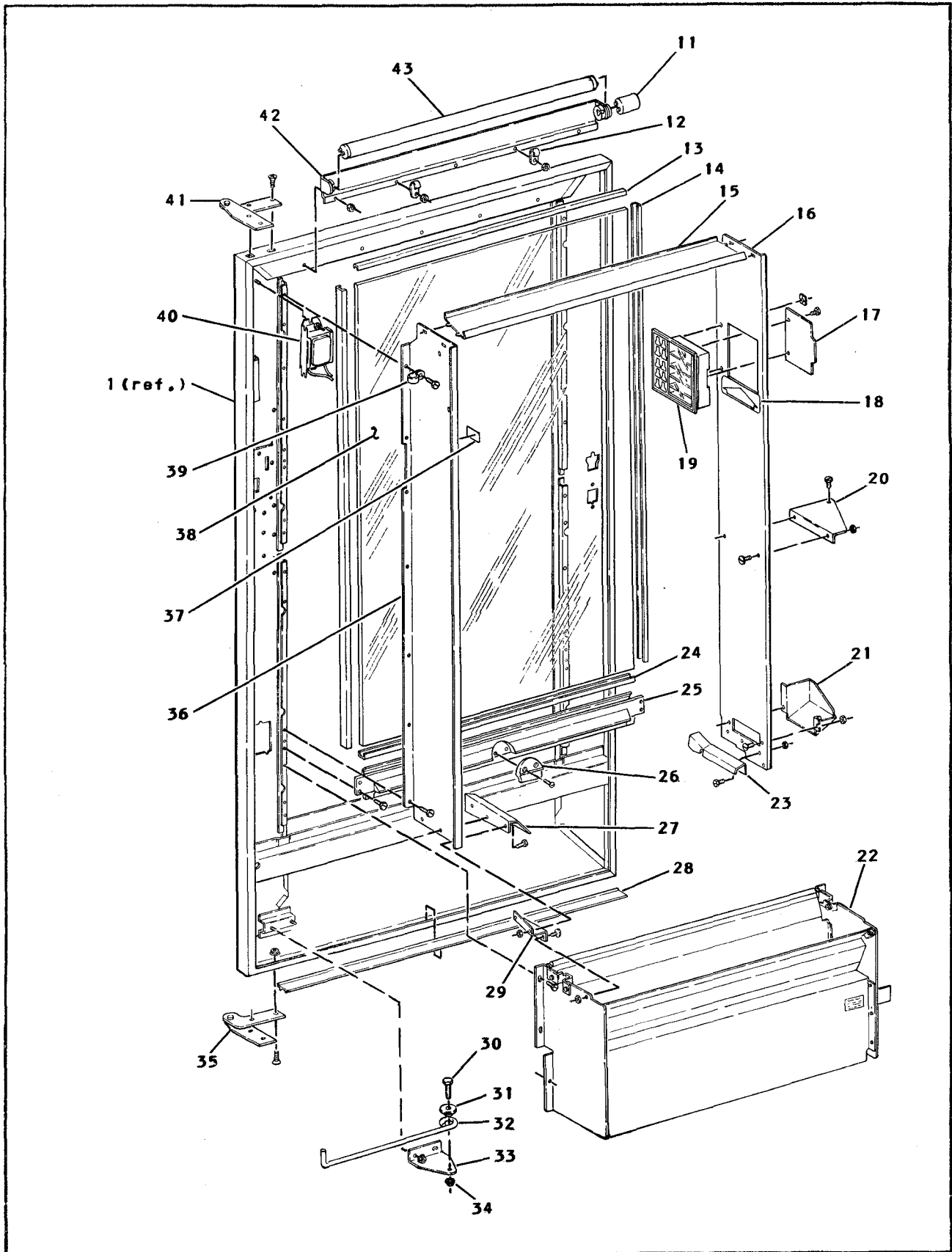


Figure 4-12. Door Assembly (2 of 3)

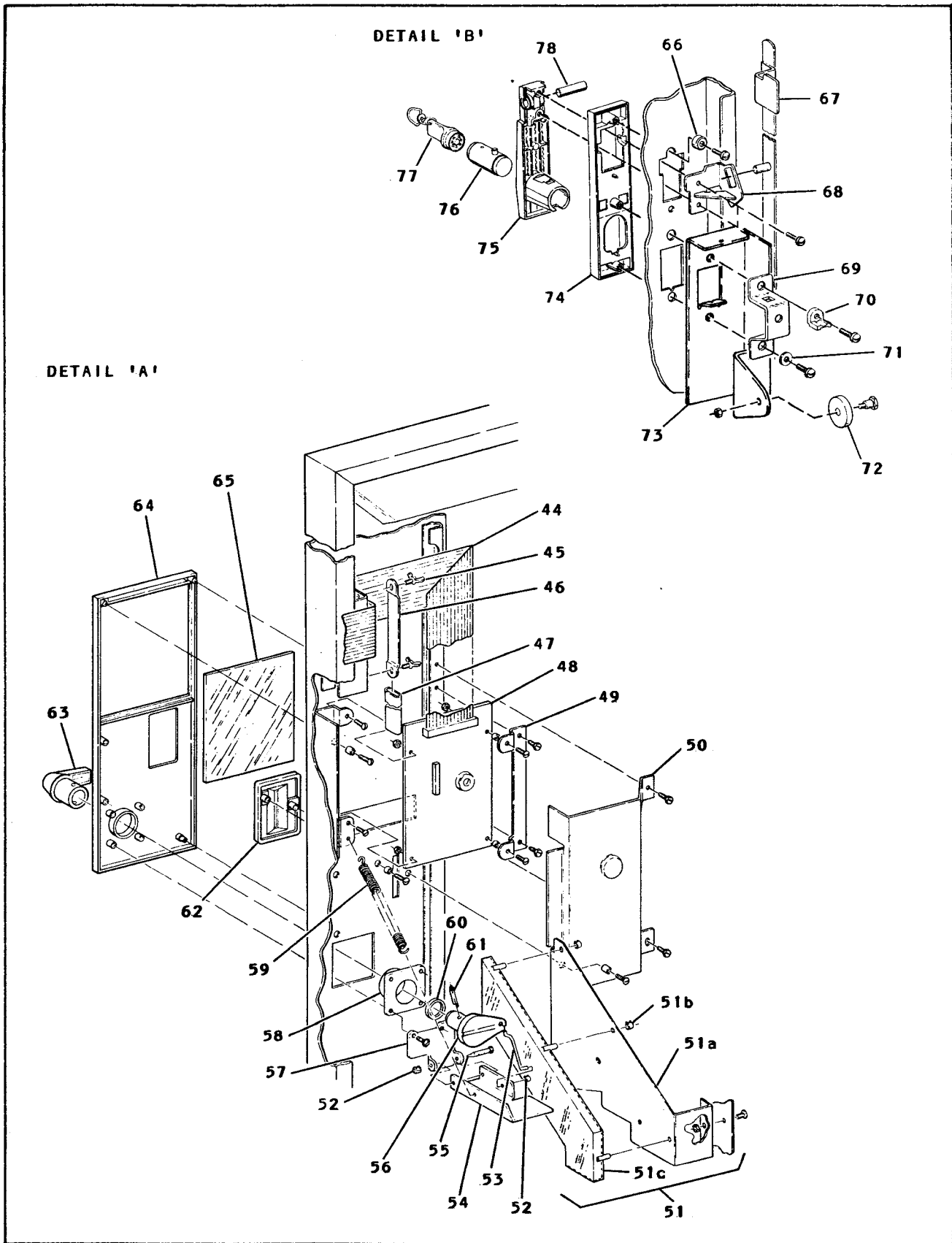


Figure 4-12. Door Assembly (3 of 3)

Index No.	Description	Part Number	No. Req.
	Door Assembly - Final Imperial Crown See Figure/Index 4-1/2 for next higher Assembly	1452021	Ref
1	Door Assembly	1452302	1
2	Panel - Top Trim Presidential Walnut Optionals	1452062	1
	Trim Panel - Top Blank - Walnut	1452115	1
	Trim Panel - Top Blank - Enameled	1452116	1
	Trim Panel - Top Formica - Laminated	1452117	1
	Trim Panel - Top Blank - Honey Tone Teak/Vinyl	1452118	1
	Trim Panel - Top Blank - Regency Walnut Vinyl	1452119	1
	Trim Panel - Top Blank - Rosewood Vinyl	1452120	1
	Trim Panel - Top Blank - Stainless	1452121	1
	Trim Panel - Top Blank - Blue Fleece	1452122	1
	Trim Panel - Top Blank - Green Fleece	1452123	1
	Trim Panel - Top Blank - Yellow Fleece	1452124	1
3	Panel - R.H. Trim-Port-Au-Prince Optionals	1452065	1
	Trim Panel - Right - Presidential Walnut	1452132	1
	Trim Panel - Right - Enameled	1452133	1
	Trim Panel - Right - Stainless	1452134	1
	Trim Panel - Right - Formica - Laminated	1452135	1
	Trim Panel - Right - Honeytone Teak Vinyl	1452136	1
	Trim Panel - Right - Regency Walnut Vinyl	1452137	1
	Trim Panel - Right - Rosewood Vinyl	1452138	1
4	Trim - Door Side attaching parts	1302049	2
	No.6 x 7/16 RHS Screw - Sheet Metal	1302282	14
5	Push Button Grip Assembly See Figure 4-13	1452024	1
6	Coin Receptacle Assembly See Figure 4-14	1452030	1
7	Panel - Bottom Trim - Presidential Walnut	1452063	1
	Panel - Bottom Trim - Slate Vinyl	1452213	1
8	Horizontal Door Trim Assembly attaching parts	1302408	2
	"T" Bolt - Trim-3/4 (Trim and Light Bracket)	2222031	5
	"T" Bolt - Trim-3/8 (Trim Top and Bottom)	2222110	8
	Nuts No.8-32 W/LW (Top and Bottom Trim to Door)	9900081	13
9	Top and Bottom Door Trim Assembly attaching parts	1302407	2
	No.6 x 7/16 RHS Screw - Sheet Metal	1302282	10

SNACKTRON 1

Index No.	Description	Part No.	No. Req.
10	Panel - L.H. Trim Port-Au-Prince Optionals	1452064	1
	Trim Panel Left - Presidential Walnut	1452125	1
	Trim Panel Left - Enameled	1452126	1
	Trim Panel Left - Stainless	1452127	1
	Trim Panel Left - Formica - Laminated	1452128	1
	Trim Panel Left - Honeytone Teak Vinyl	1452129	1
	Trim Panel Left - Regency Walnut Vinyl	1452130	1
	Trim Panel Left - Rosewood Vinyl	1452131	1
	Trim Panel Left - Pewter Vinyl	1452212	1
11	Starter - Fluorescent Light FS-25	2302218	1
12	Retainer - Harness	1452139	2
13	Channel - Glass - Horizontal	1172041	1
14	Channel - Glass - Vertical	1452068	2
15	Shield - Light	1452145	1
16	End Plate - Display - L.H. attaching part	1452066	1
	Screw No.8-32 x .31	1451097	
17	Cover - Gum & Mint Display attaching parts	1452216	1
	Screw No.8-32 x .31 Hex Hd. T/F Black	1451097	2
18	Label Arrow Gum & Mint	1459023	1
19	Insert & Display Assembly - Gum & Mint attaching parts	1452038	1
	Push-On Retainer-3/16	1122144	2
20	Gusset - Display End Plate - L.H. attaching parts	1452045	1
	Screw No.8-32 x 3/8 THS - Black	1170206	2
	Screw No.8-32 x .31 Hex Hd. T/F Black	1451056	1
	Nut No.8-32 W/L.W.	9900081	2
21	Cup - Chute - Gum & Mint attaching parts	1452077	1
	Screw Flat Head		
	Nut		
22	Delivery Pan Assembly See Figure 4-15 attaching parts	1452100	1
	Screw No.8-32 x .31 Hex Hd. T/F Black	1451097	6

Index No.	Description	Part No.	No. Req.
23	Deflector - Product L.H. attaching parts Screw No.8-32 x .31 Hex Hd. T/F Black	1452047	1
		1451097	3
24	Channel - Glass - Lower	1402120	1
25	Panel - Glass Lower attaching parts Screw No.8-32 x .31 T/F Black	1412012	1
		1451097	4
26	Retainer Door Pivot attaching parts Screw No.8-32 x .31 Hex Hd. T/C	1452072	1
		1451056	2
27	Deflector - Product R.H. attaching parts Screw No.8-32 x .31 Hex Hd. T/F Black	1452046	1
		1451097	3
28	Strip - Filler - Sanitation	6132415	1
29	Support End Plate R.H. attaching part Screw No.8-32 x 3.8 THS Black Nut No.8-32 W/L.W.	1452067	1
		1170206	1
		9900081	1
30	Bolt, Main Shaft-Hex	1106657	1
31	Bushing, Door Check	1142017	1
32	Arm, Door Check	1452056	1
33	Plate, Door Check attaching parts Nut No.1/4-20 "Keps" Conical Serrated Washer Hd.	1452055	1
		1172021	2
34	Nut, No.1/4 - 20 "Keps" Conical Serrated Washer Hd.	1172021	1
35	Hinge Assembly - Lower Door attaching parts Screw No.1/4 - 20 x 5/8 Flat Hd Nut No.1/4 - 20 "Keps" Conical Serrated Washer Hd.	3102058	1
		1172020	2
		1172021	2
36	End Plate - Display R.H. attaching parts Screw No.8-32 x .31 Hex Hd.T/F Black	1452048	1
		1451097	1
37	Label - Model Designation	1452079	1
38	Glass - Display Optional Glass - Display - Plexiglas Glass - Display - Lexan	1452059	1
		1452080	1
		1452210	1

SNACKTRON 1

Index No.	Description	Part No.	No. Req.
39	Cable Clamp - 7/16	3102348	1
40	Ballast Assembly - Display attaching part Nut No.8-32 W/LW	6152188 9900081	1 1
41	Hinge Assembly - Upper Door attaching parts Screw No.1/4-20 x 5/8 Flat Hd. Nut No.1/4-20 "Keps" Conical Serrated Washer Hd.	3102055 1172020 1172021	1 2 2
42	Light Assembly - Upper Door See Figure 4-16 attaching parts Nut No.8-32 W/L.W.	1452033 9900081	1 5
43	Fluorescent Lamp - 25 Watt	1172115	1
44	Cable Assembly - Ribbon	1452075	1
45	Thumb Screw	4021056	2
46	Clamp - Wire	1451042	1
47	Cover Clamp	1451043	1
48	PCB Assembly - Display #1 attaching parts Screw No.8-32 x .31 Hex Hd. T/F Black Nut No.8 W/LW Spacer	1452073 1451097 9900081 2302053	1 4 4 2
49	Bracket - PCB Board attaching parts Screw No.8-32 x .31 Hex Hd. T/F Black	1452070 1451097	1 2
50	Cover - Display - PCB Assembly attaching parts Screw No.8-32 x .31 Hex Hd. T/F Black	1452017 1451097	1 2
51	Plate and Coin Chute Assembly - Upper	1452084	1
51a	Plate - Coin Chute attaching parts Screw No.8-32 x 3/8 THS Black Nut No.8-32 W/L.W.	1452086 1170206 9900081	1 1 1
51b	Speed Clip - Compression Ring	2366055	6
51c	Chute - Coin	1452085	1

SNACKTRON 1

Index No.	Description	Part Number	No. Req.
52	Speed Clip - Compression Ring	2366055	2
53	Link - Scavenger	1452054	1
54	Arm - Scavenger	1452053	1
55	Latch Pin	1127837	1
56	Cam - Scavenger	1452060	1
57	Bracket - Scavenger Pivot attaching parts	1452052	1
	Screw No.8-32 x .31 Hex Hd. T/C	1451056	2
58	Bearing - Scavenger	1402014	1
59	Spring - Scavenger Pivot	1144014	1
60	Washer, Steel - 1.00 x .567 x .060	1402054	1
61	Pin - Cotter	9900098	1
62	Coin Insert attaching parts	1452061	1
	Spacer Cup	2302053	2
	Screw No.8-32 x .38 Hex Hd. T/F	1437204	2
63	Handle - Scavenger	1402037	1
64	Casting - Scavenger and Readout attaching parts	1452050	1
	Spacer Cup	2302053	5
	Screw No.8-32 x .38 Hex Hd. T/F	1437204	5
65	Insert - Instruction	1452022	1
66	Spacer, Cup	1302289	1
67	Lock Bar and Stud Assembly - L.H.	1452018	1
68	Actuator Lock Bar - L.H.	1452013	1
69	Catch, Door Latch	3112195	1
70	Shield, Latch attaching part	1302326	1
	No.10-32 x 1/2 RHS W/LW	1217161	Ref
71	Washer, Steel, 7/16 x .203 x .062	9900067	1
72	Roller, Door attaching parts	1452058	1
	No.10-32 Self Locking Nut Bolt	1407048	1

SNACKTRON 1

Index No.	Description	Part No.	No. Req.
73	Bracket - Door Roller	1452057	1
74	Base - lever Lock attaching part No.10-32 x 1/2 RHS W/LW	1172191	1
		1217161	3
75	Lever, Lock	1172190	1
76	Cylinder, Flex-Ace Lock	9992000	1
77	Key, Flex-Ace Lock	9994000	1
	Key, Van Lock	3112164	1
78	Pivot, Lever Lock	1302291	1

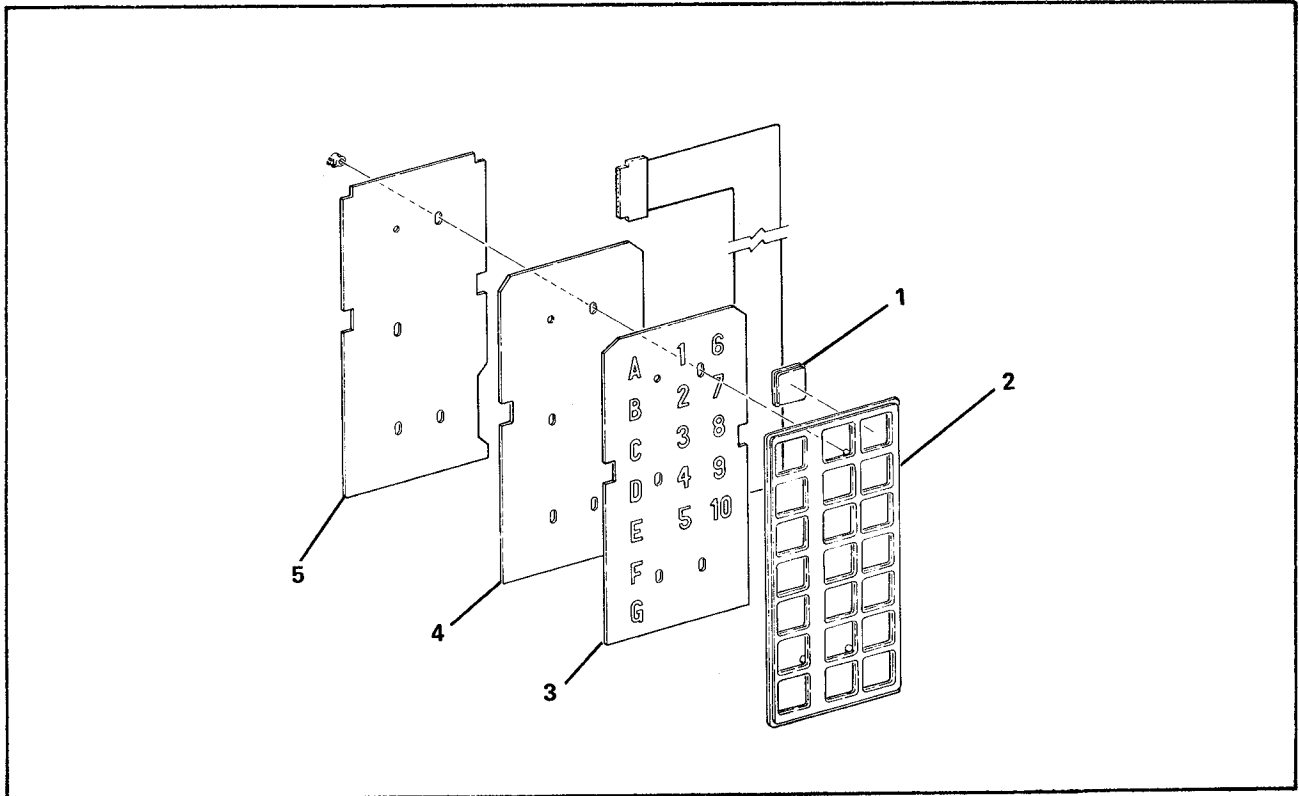


Figure 4-13. Push Button Grid Assembly

Index No.	Description	Part Number	No. Req.
	Push Button Grid Assembly (See Figure/Index 4-12/5 for next higher assembly)	1452024	Ref
1	Push Button Lens	1452027	21
2	Push Button Grid attaching parts Compression Ring Speed Clip	1452026 2366055	1 5
3	Push Button Letter Sheet	1452028	1
4	P/C Membrane Switch Selection Assembly	1452029	1
5	Push Button Backup Plate	1452025	1

SNACKTRON 1

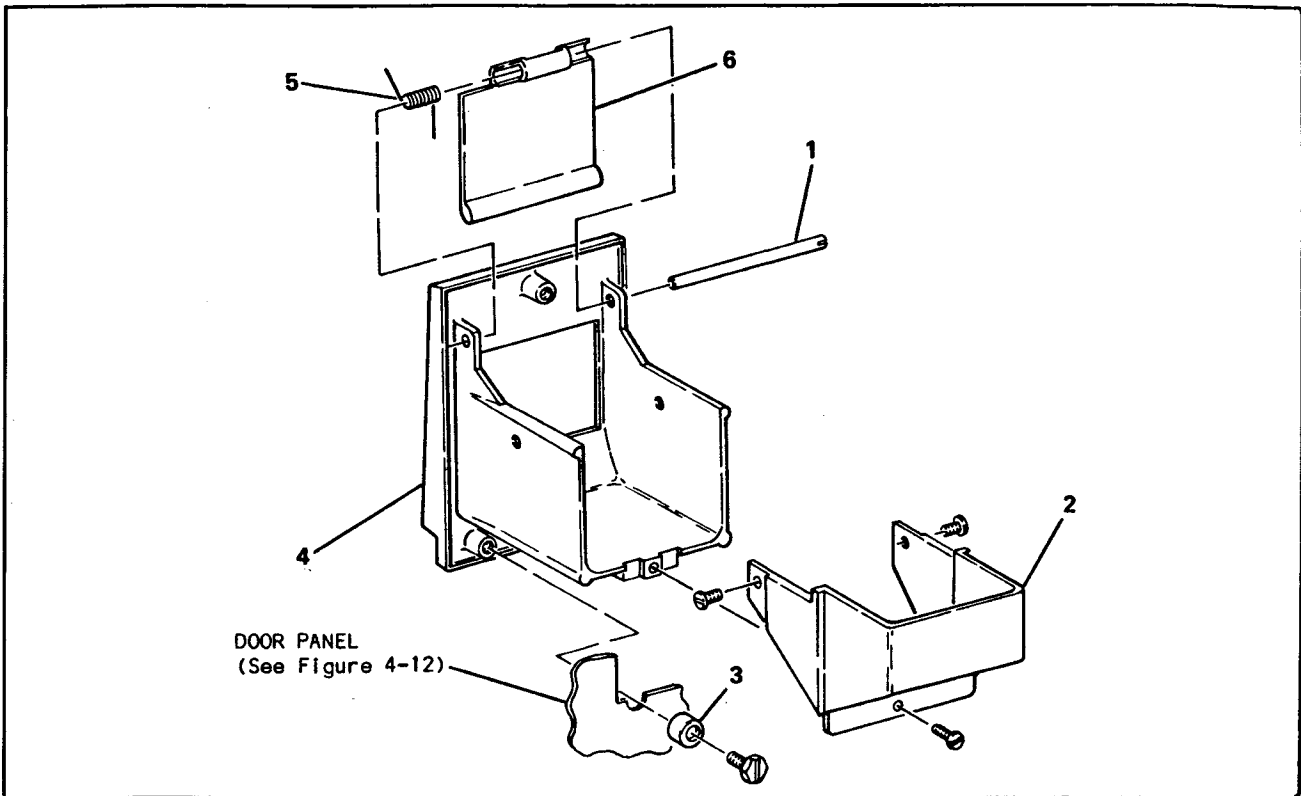


Figure 4-14. Coin Receptacle Assembly

Index No.	Description	Part Number	No. Req.
	Coin Receptacle Assembly See Figure/Index 4-12/6 for next higher assembly)	1452030	Ref
1	Pin - Gate	1272039	1
2	End - Coin Cup attaching parts No.6-20 x 3/8 PHS T/C Screw	1452031 9900203	1 3
3	Spacer, Cup	2302053	3
4	Coin Receptacle attaching parts No.8-32 x 5/16 RHS T/C	1272131 9900174	1 3
5	Spring, Coin Return Door	1212117	1
6	Gate, Coin Receptacle	1272132	1

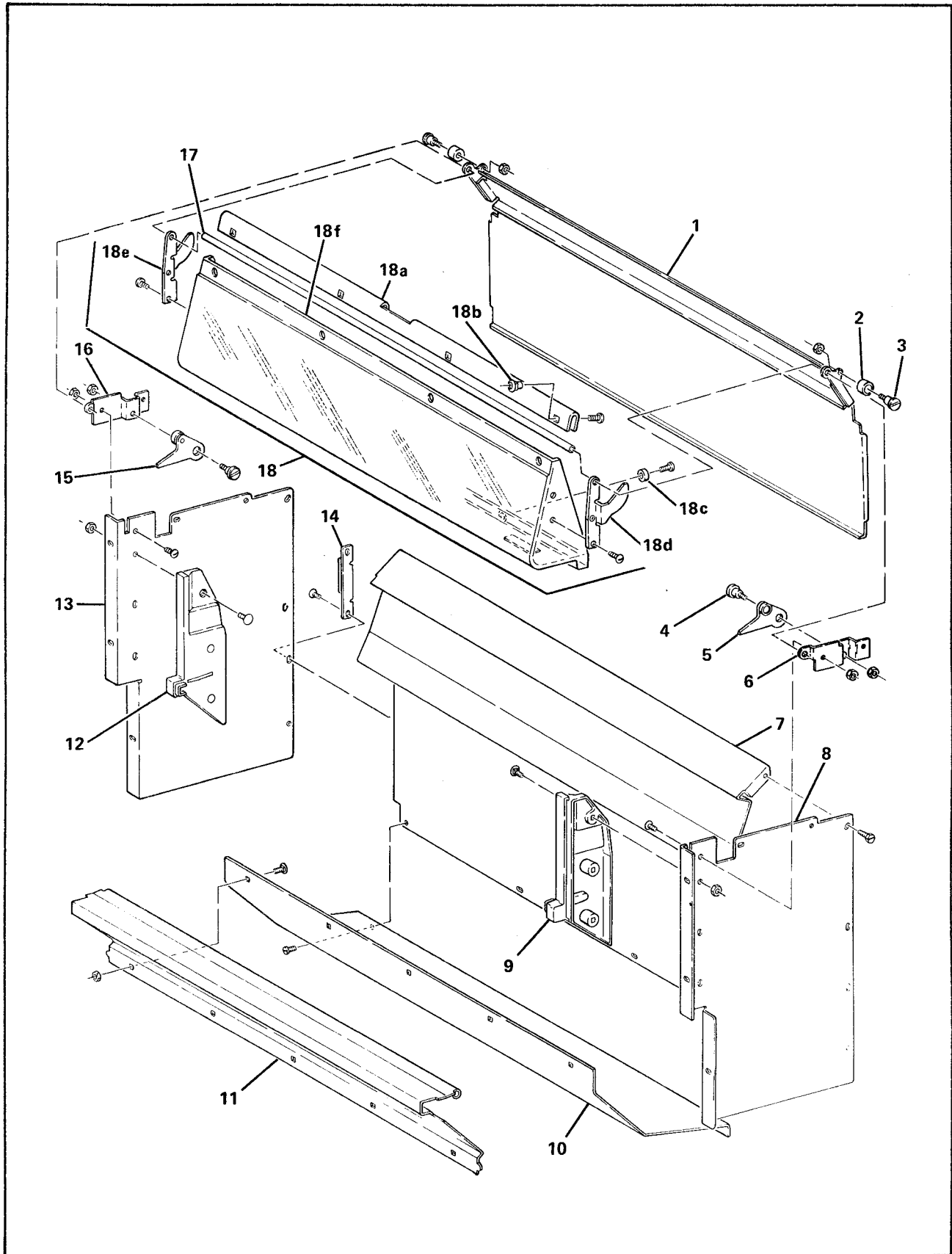


Figure 4-15. Delivery Pan Assembly

SNACKTRON 1

Index No.	Description	Part Number	No. Req.
	Delivery Pan Assembly See Figure/Index 4-12/22 for next higher assembly)	1452100	Ref
1	Pilferage Door & Channel Assembly	1412032	1
2	Roller - Door Actuator	1412089	2
3	Stud - Door Actuator attaching part	1412090	2
	No.8-32 Self Locking Black Nut	1412046	2
4	Stud - Actuator - Plate Pivot attaching part	1412045	2
	No.10-32 Self Locking Nut	1407048	2
5	Actuator Plate & Roller Assembly R.H.	1412094	1
6	Bracket - Door Pivot - R.H. attaching part	1412021	1
	No.8-32 x 3/8 THS Black Screw	1170206	4
7	Back Panel - Delivery Pan	1452103	1
8	End Plate - Delivery Pan-R.H. attaching part	1452101	1
	No.8-32 x .31 Hex Hd. T/F Black Screw	1451097	4
9	Filler - Right attaching parts	1412022	1
	Carriage Bolt - Torque Channel	1306140	3
	No.8-32 W/L.W. Nut	9900081	3
10	Bottom Panel - Delivery Pan attaching parts	1452105	1
	Carriage Bolt - Torque Channel	1306140	5
11	Delivery Pan - Front attaching parts	1412061	1
	No.8-32 x .31 Hex Hd. T/F Black Screw	1451097	5
	No.8-32 W/L.W. Nut	9900081	5
12	Filler - Left attaching parts	1412023	1
	Carriage Bolt - Torque Channel	1306140	3
	No.8-32 W/L.W.	9900081	3
13	End Plate - Delivery Pan-L.H. attaching part	1452102	1
	No.8-32 x .31 Hex Hd. T/F Black Screw	1451097	4
14	Actuator - Interlock Switch	1452104	1

SNACKTRON 1

Index No.	Description	Part No.	No. Req.
15	Actuator Plate & Roller Assembly L. H.	1412095	1
16	Bracket - Door Pivot L.H.	1412024	1
17	Shaft - Door Pivot attaching part	1412044	1
	No.8-32 Self Locking - Black Nut	1412046	2
18	Delivery Door Assembly	1412060	1
18a	Channel - Door attaching part	1412028	1
	No.8-32 x 3/8 THS - Black Screw	1170206	4
18b	No.8-32 Carriage Nut	1402052	4
18c	Bumper attaching part	2222109	3
	No.6-20 x 3/8 PHS T/C Screw	9900203	3
18d	Actuator - Delivery Door R.H. attaching parts	1452214	1
	No.8-32 x 3/8 THS - Black Screw	1170206	2
	No.8-32 x Self Locking - Black Nut	1412046	2
18e	Actuator - Delivery Door L.H. attaching parts	1452215	1
	No.8-32 x 3/8 THS - Black Screw	1170206	2
	No.8-32 Self Locking - Black Nut	1412046	2

SNACKTRON 1

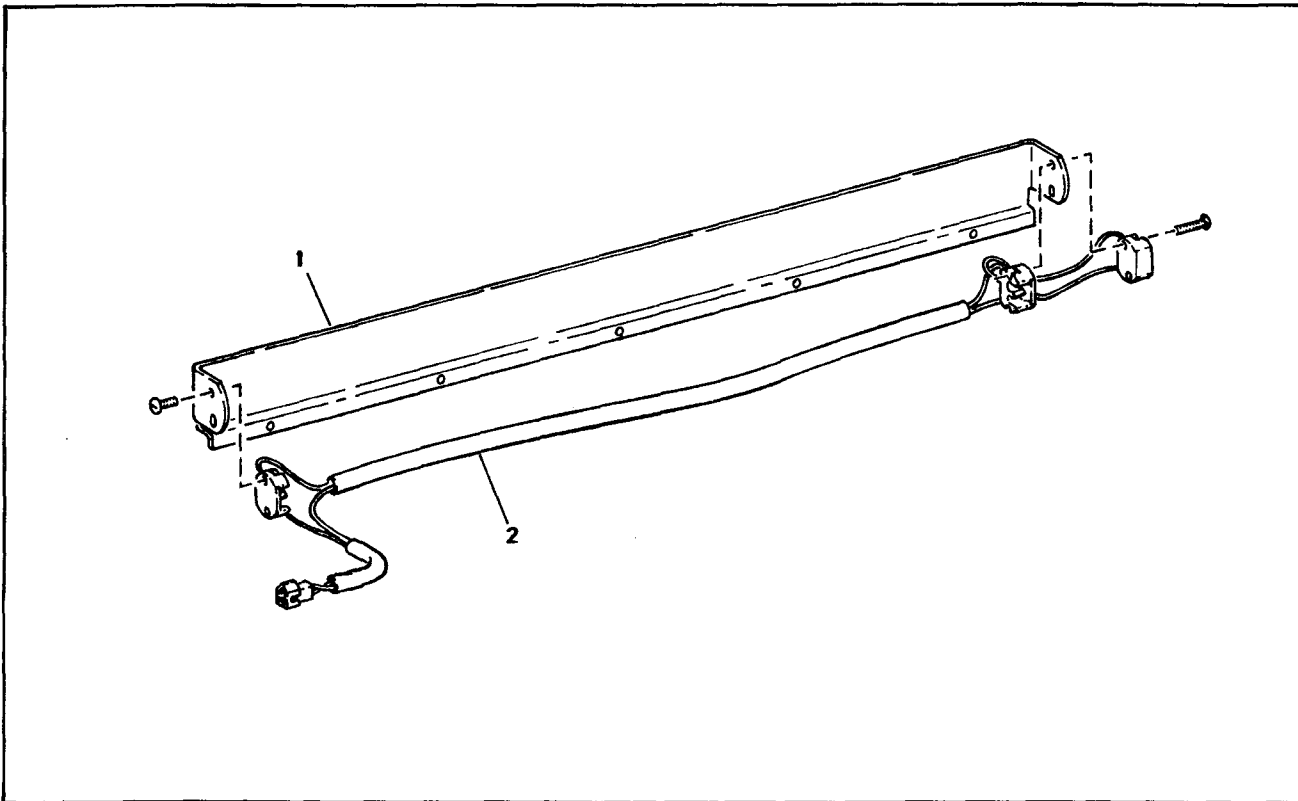


Figure 4-16. Upper Door Light Assembly

Index No.	Description	Part Number	No. Req.
	Upper Door Light Assembly See Figure/Index 4-12/42 for next higher assembly)	1452033	Ref
1	Bracket - Light Tube	1452034	1
2	Harness - Fluorescent Light (NOTE: Furnished with (2) #4-36 x 7/16 & (2) #4-36 x 3/4 Mounting Screws)	1452042	1

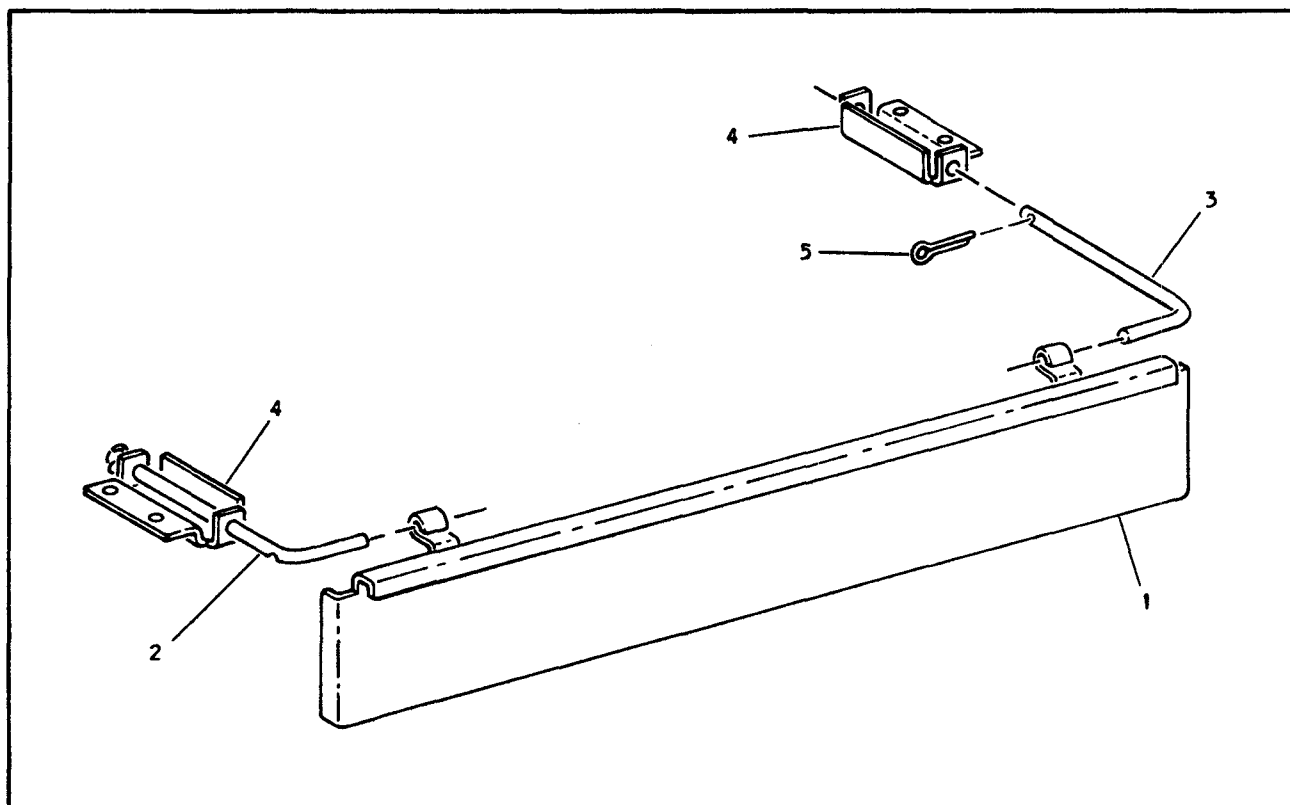


Figure 4-17. Base Plate Assembly

Index No.	Description	Part Number	Req. No.
	Base Plate Assembly: Nu-Gray :Award (See Figure/Index 4-1/11 for next higher Assembly)	227-1050 227-1051	Ref. Ref.
1	Base Plate Assembly-Hinged: Nu-Gray : Award	227-1401 227-1020	1 1
2	L. H. Slide	141-1195	1
3	R. H. Slide	141-1194	1
4	Bracket	141-1193	2
5	3/32/ 3/4 Cotter Pin	9900-098	2

